

SPLASHLIGHT LED WALL WASHER

SPECIFICATION SHEET



Features

- UL 153 Portable Electric Luminaire
- Die-cast Aluminum Shell / Tempered Glass
- IP 65 For Outdoor Use
- 150° Rotary Angle
- DMX-512 control

Applications & Uses

- Indoor/Outdoor Social Events: Parties, Weddings
- Corporate Engagements & Trade Shows
- Restaurants & Dance Clubs
- Gardens & Outdoor Accents
- Exterior & Architectural Lighting
- Indirect & Accent Lighting
- Billboards & Outdoor Signage

Item #	Color	Input Voltage ¹	Beam Angle	Projection Distance	Lumens (Max)	Power Consumption	IP Rating	Chips per Unit	Max Run
DI-0480	RGB	100 - 256VAC	45°	23ft.	1931 lm	55W	IP 65	36	10 Fixtures

Finish Color	Black
Input Voltage ¹	100 - 256VAC
Frequency	50/60Hz
Input Connection	NEMA 5-15 AC power plug (56 in. length)
Operating Voltage	24VDC
Power Consumption	55W (max)
Linkable Connections ²	1ea. male/female wet location 3-pin M14 cables (IP67 rated. 18 in. length). M14-to-XLR-3 adapter cables also included.
Operating Temp.	-4° ~ 104° F (-20° ~ 40° C)
Housing / Cooling	Die-cast aluminum casing; tempered glass / cooling by free air convection
Mounting	Integrated tilting surface-mount base w/ (2x) 5/16 in. mounting holes. Suitable for floor mounting only.
Rotary Angle	150°
LED Chip Type	Edison
Chips per unit	36 chips; RGB washer - R=12, B=12, G=12

Beam Angle	45°
LED Color	RGB
Rated Fixture Lumens (lm) (max)	RGB (R=615, G=1038, B=278; Total=1931 lm)
Luminous Efficacy (lm/W)	12 lm/W - 49 lm/W
Projection Distance	23ft.
Rated Lamp Life	50,000 hours
Control	DMX-512 control, 3 addresses per fixture
Dimmable? ³	May be dimmed/controlled using on-board controls or with a compatible DMX-512 controller.
Maximum Series Run	10 fixtures
Dimensions (in.)	13.11 x 5.79 x 8.27 in. (L x W x H)
Weight	9.48 lbs.
IP Rating / Location	IP65 / Suitable for use in outdoor and wet locations
Safety Standards	UL 153 Approved. UL # E336476, CE
Warranty	2 Years

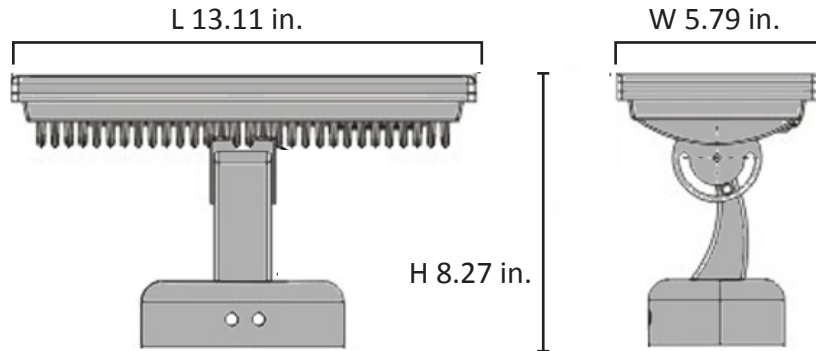
Note ¹ Only UL Listed for connection with a 120VAC, 15- or 20-ampere branch circuit.

Note ² When installing outdoors or in a wet location, ensure water-resistant end caps are connected to all wet location 3-pin M14 cables. If attaching XLR-3 DMX adapter cables seal all standard XLR-3 connections with 1.25" heat shrink and finish with waterproof tape (not included). Do not use liquid sealants of any kind.

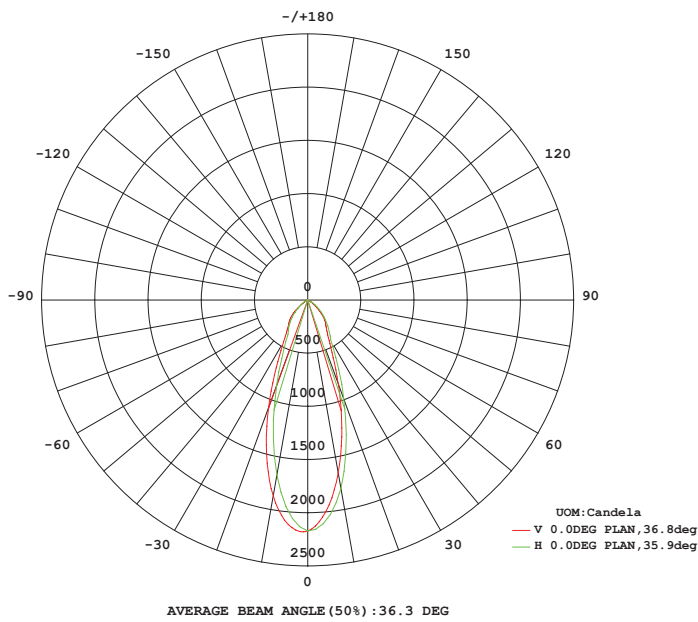
Note ³ Not compatible with standard High Voltage AC dimming controls.

SUBMITTAL FORM

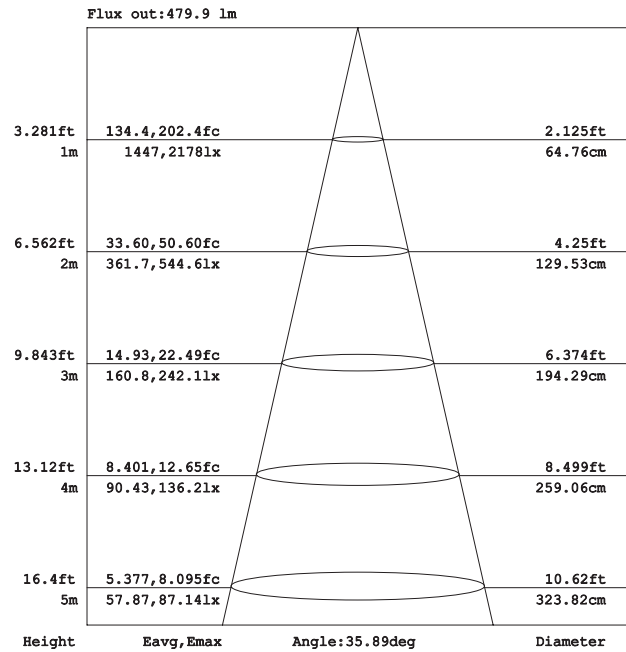
JOB / PROJECT NAME _____	DATE _____
JOB TYPE _____	JOB LOCATION _____
SPECIFIER NAME _____	CATALOG NUMBER _____
CONTACT PHONE _____	OTHER _____
CONTACT EMAIL _____	



SPLASHLIGHT RGB FIXTURE
Luminous Intensity Distribution



Illuminance at Distance



Note: The curves indicate the illuminated area and the average illumination when the luminaire is at different distance.

Safety & Warnings

- Turn power OFF at main breaker before servicing or installing this product.
- This product is intended to be installed and serviced by a qualified, licensed electrician.
- Install in accordance with the National Electric Code and local regulations.
- Install in a well-ventilated, combustion-free environment.
- Do not disassemble or modify this product. Doing so will void your warranty.
- This fixture is not compatible with any traditional dimming controls. Wall washers can only be controlled/dimmed with the on-board interface or with an external DMX controller. Please contact customer service for additional information.
- Ensure all adjusting screws on mounting brackets and fixtures are properly secured prior to permanent installation.
- This fixture is suitable for floor mounting only. Do not mount to walls or ceilings.
- This fixture is IP65 rated. Attached wet-location 3-pin M14 connections are IP67 rated.
- When installing outdoors or in a wet location, ensure water-resistant end caps are connected to all exposed wet location 3-pin M14 connections. If attaching XLR-3 adapter cables seal all XLR-3 DMX connections with 1.25" wide heat shrink and finish with waterproof tape (not included). Do not use liquid sealants of any kind.
- It is recommended to power this fixture by a GFCI protected circuit.
- This fixture is only UL Listed for connection with a 120VAC, 15- or 20-ampere branch circuit.
- This fixture is not to be used in or around chlorinated, treated, or salt water due to the corrosive and degrading qualities of chlorine, saline, and other chemicals on the fixture components. Keep at least 16 feet away from pools and spas.
- This fixture is rated for use in an environment where the ambient operating temperature is -4° ~ 104° F (-20° ~ 40° C).