

# MD-SERIES

## MAGNETIC DIMMABLE CLASS 2 LED DRIVER



CLASS 2



P/N: MD-20-12

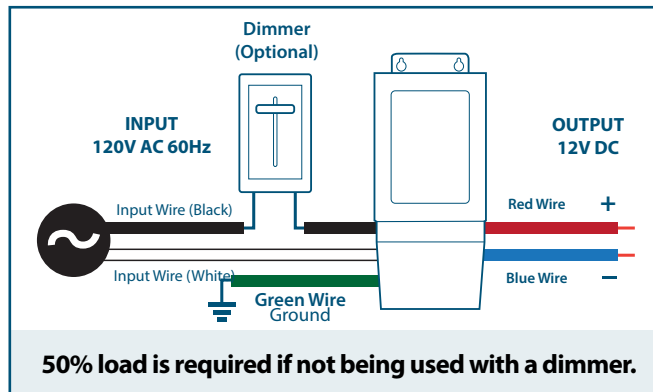


KLUS - MD-20-12 is the most compact LED driver on the market with a magnetic transformer core. It is equipped with two auto-reset breakers, one on the input and one on the output, which protect both the load and driver. The driver is encased in a coated metal box that includes 2 knock-outs, one on each side, to enable easy installation that complies with electrical code requirements.

### QUICK SPECS

Input Voltage	Max Output Power	Output Voltage	Output Current	Efficiency @ Max Load	Power Factor @ Max. Load	Envir. Protection Rating	Weight
120VAC	20W	12VDC	1.9 A	> 74%	> 0.81	NEMA 3R	35oz

### WIRING DIAGRAM

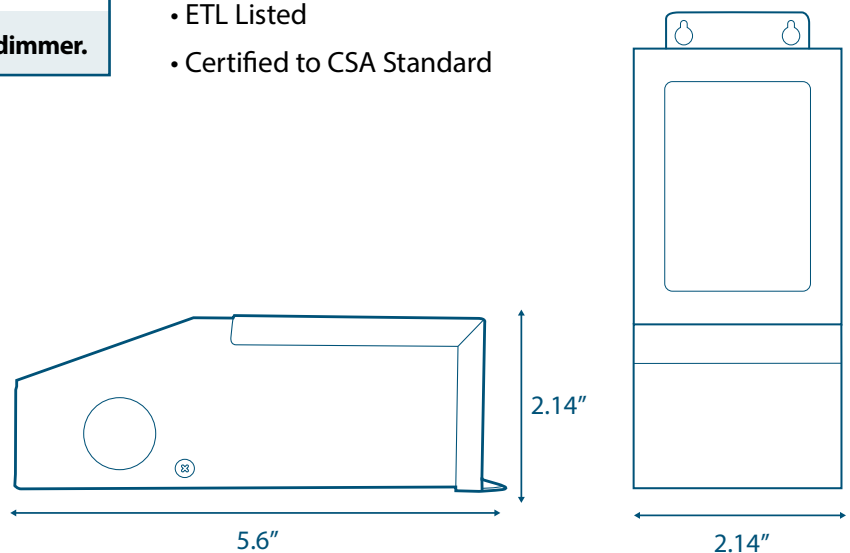


### FEATURES

- Dimmable with any standard MLV/Incandescent TRIAC- (Leading edge) dimmer switch
- Dual protection - primary and secondary auto-reset circuit breakers
- Nema 3R - Outdoor Use
- Two knock-outs one on each side
- Class 2
- ETL Listed
- Certified to CSA Standard

### ENCLOSURE DETAILS In. (mm)

Length	5.6 (142.2)
Width	2.14 (54.3)
Height	2.14 (54.3)



# MD-SERIES MAGNETIC DIMMABLE CLASS 2 LED DRIVER

## SPECIFICATIONS

### Input

Input Voltage	120VAC
Input Current @ Max Load	0.31 A
Power Factor	0.81
Efficiency	> 74%

### Output

Max Load	20W
Output Voltage	11.6 VDC
Output Current @ Max Load	1.9 A
Coil Former	Double Section Bobbin

### Environmental

Operating Temperature	-30°C - 45°C (-22°F - 113°F)
Min Installation space between drivers	5" Inch
Thermal Class	B130°C

### Protections

Circuit Breaker	Primary and secondary auto-reset
-----------------	----------------------------------

### Mechanical & Housing

Leads Primary	PVC 600V #20
Leads Secondary	PVC 300V #16
Length	5.6" (142.2mm)
Width	2.14" (54.3mm)
Height	2.14" (54.3mm)
Weight	9oz (255grams)
Housing Material	Coated metal
Housing Color	Black
Junction Box	Yes
Mounting	Two Hole flange mounting

### Approval Markings

Certificates / Approval Signs	UL 8750, class 2
-------------------------------	------------------

# MD-SERIES MAGNETIC DIMMABLE CLASS 2 LED DRIVER

## MECHANICAL DIAGRAM

