

MD-SERIES

MAGNETIC DIMMABLE LED DRIVER



P/N: MD-200-12

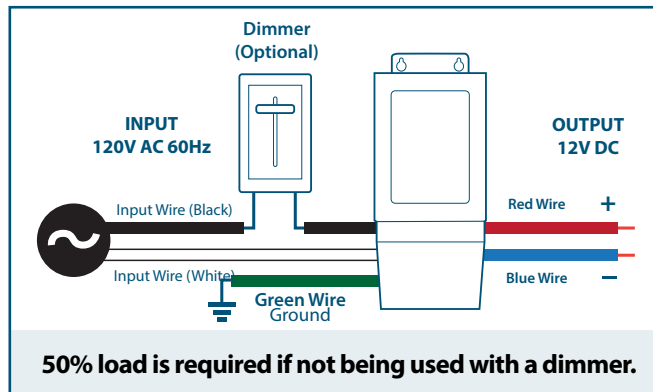


KLUS - MD-200-12 is the most compact LED driver on the market with a magnetic transformer core. It is equipped with two push-to-reset circuit breakers on the input and output, which protect both the load and driver. The driver is encased in a coated metal box that includes 2 knock-outs on the bottom to enable easy installation that complies with electrical code requirements.

QUICK SPECS

Input Voltage	Max Output Power	Output Voltage	Output Current	Efficiency @ Max Load	Power Factor @ Max. Load	Envir. Protection Rating	Weight
120VAC	200W	12VDC	15.6 A	> 88%	> 0.92	NEMA 3R	87oz

WIRING DIAGRAM

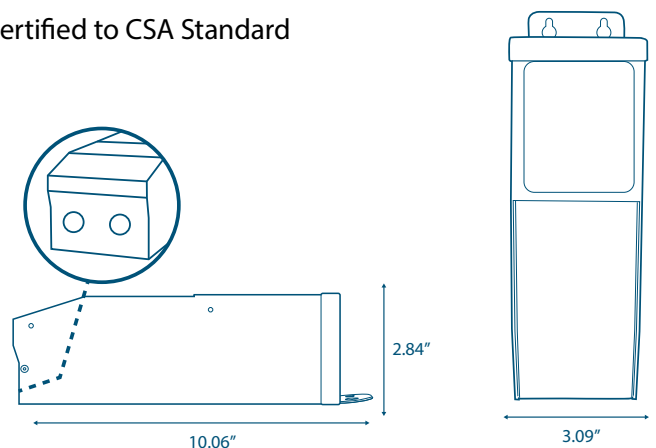


FEATURES

- Dimmable with any standard MLV/Incandescent TRIAC- (Leading edge) dimmer switch
- Dual protection - two manual push-to-reset circuit breakers on the primary and secondary sides
- Low operating temperature
- Nema 3R - Outdoor Use
- Two bottom knock-outs
- Optional 10% voltage boost to compensate for voltage drop
- ETL Listed
- Certified to CSA Standard

ENCLOSURE DETAILS In. (mm)

Length	10.06 (255.5)
Width	3.09 (78.5)
Height	2.84 (72.1)



MD-SERIES MAGNETIC DIMMABLE LED DRIVER

SPECIFICATIONS

Input

Input Voltage 120VAC

Input Current @ Max Load 2.13 A

Power Factor 0.92

Efficiency > 88%

Output

Max Load 200W

Output Voltage 11.6 VDC

Output Current @ Max Load 15.6 A

Open Circuit Output Voltage 12.9 VDC

Coil Former Double Section Bobbin

Environmental

Operating Temperature -30°C - 45°C (-22°F - 113°F)

Min Installation space between drivers 5" Inch

Thermal Class B130°C

Protections

Circuit Breaker Primary and secondary push to reset

Mechanical & Housing

Leads Primary PVC 600V #18

Leads Secondary PVC 300V #12

Length 10.06" (255.5mm)

Width 3.09" (78.5mm)

Height 2.84" (72.1mm)

Weight 87oz

Housing Material Coated metal

Housing Color Black

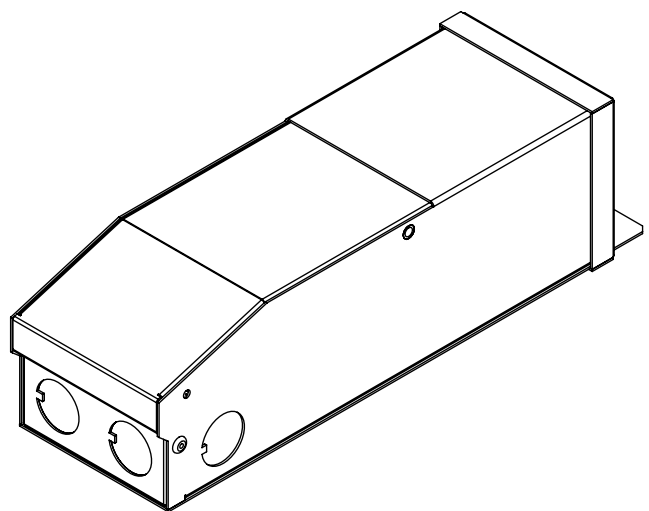
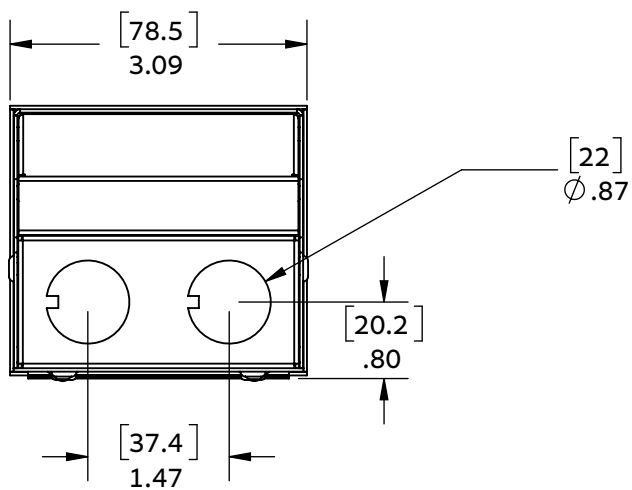
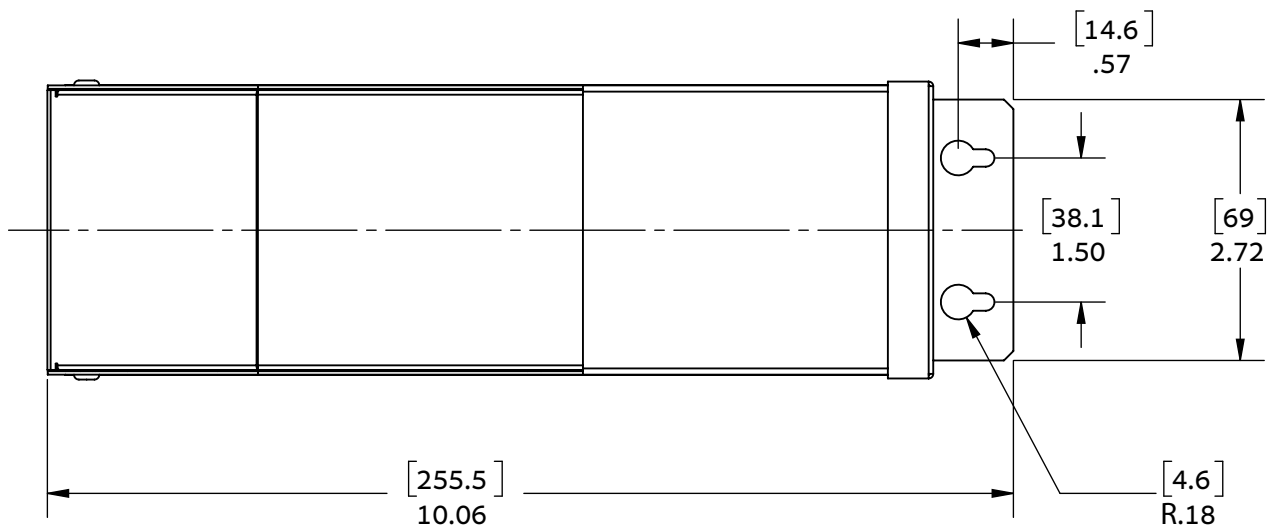
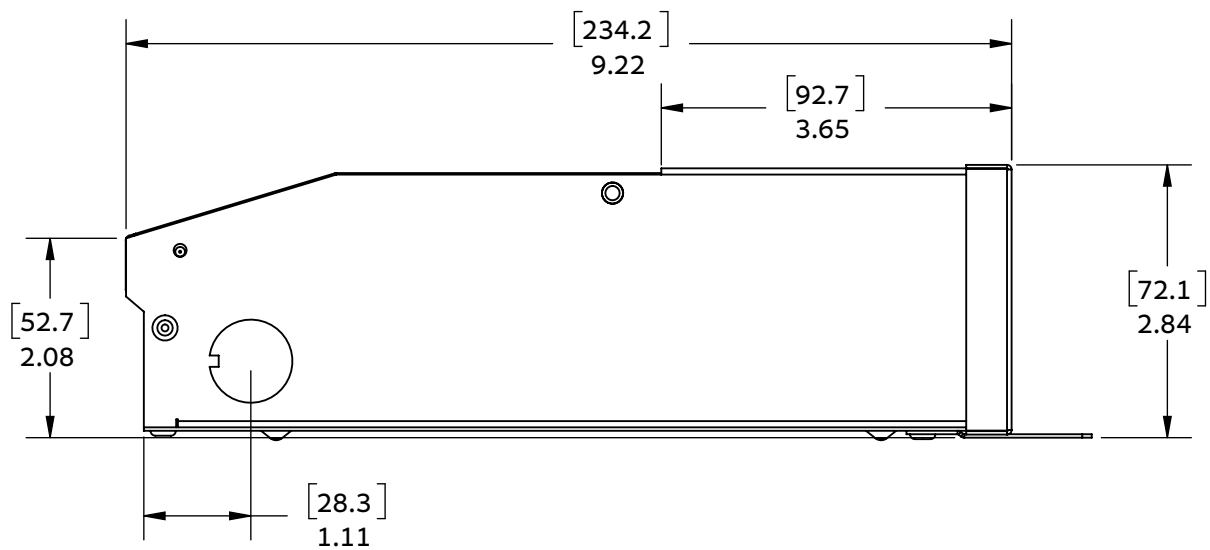
Junction Box Yes

Mounting Two Hole flange mounting

Approval Markings

Certificates / Approval Signs UL 8750

MD-SERIES MAGNETIC DIMMABLE LED DRIVER



MD-SERIES MAGNETIC DIMMABLE LED DRIVER

