

MD-SERIES

MAGNETIC DIMMABLE CLASS 2 LED DRIVER



CLASS 2

24V DC

P/N: MD-60-24

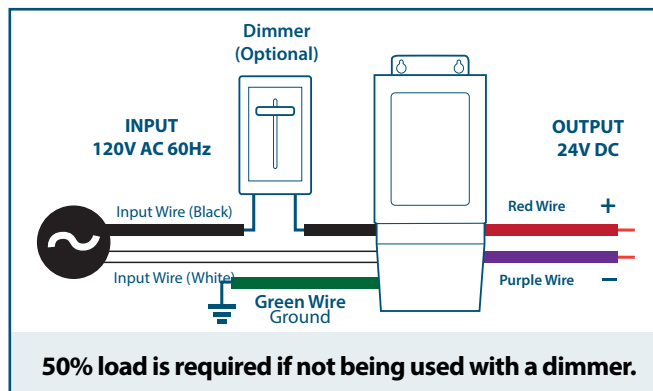


KLUS - MD-60-24 is the most compact LED driver on the market with a magnetic transformer core. It is equipped with two auto-reset breakers, one on the input and one on the output, which protect both the load and driver. The driver is encased in a coated metal box that includes 2 knock-outs, one on each side, to enable easy installation that complies with electrical code requirements.

QUICK SPECS

Input Voltage	Max Output Power	Output Voltage	Output Current	Efficiency @ Max Load	Power Factor @ Max. Load	Envir. Protection Rating	Weight
120VAC	60W	24VDC	2.56 A	> 85%	> 0.82	NEMA 3R	50oz

WIRING DIAGRAM

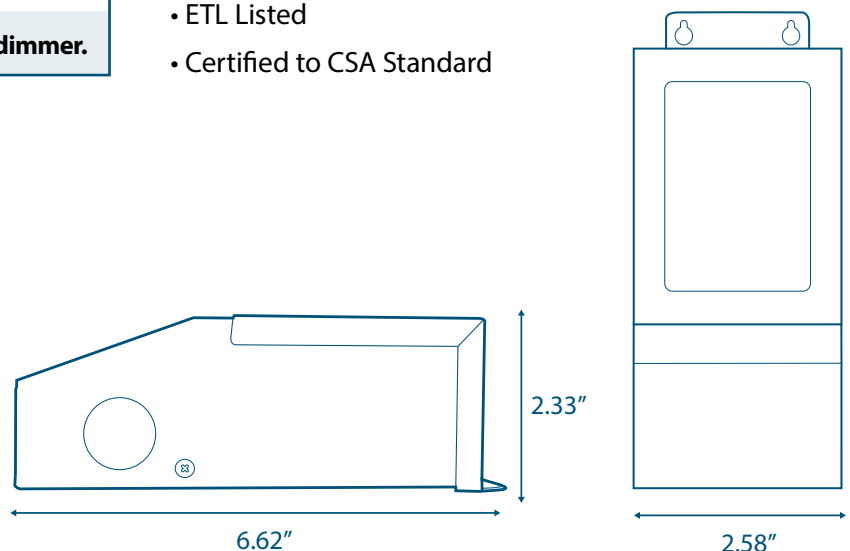


FEATURES

- Dimmable with any standard MLV/Incandescent TRIAC- (Leading edge) dimmer switch
- Dual protection - primary and secondary auto-reset circuit breakers
- Nema 3R - Outdoor Use
- Two knock-outs one on each side
- Class 2
- ETL Listed
- Certified to CSA Standard

ENCLOSURE DETAILS In. (mm)

Length	6.62 (168)
Width	2.58 (65.6)
Height	2.33 (59.1)



MD-SERIES MAGNETIC DIMMABLE CLASS 2 LED DRIVER

SPECIFICATIONS

Input

Input Voltage 120VAC

Input Current @ Max Load 0.95A

Power Factor 0.82

Efficiency > 85%

Output

Max Load 60W

Output Voltage 23.3VDC

Output Current @ Max Load 2.56A

Open Circuit Output Voltage 25VDC

Coil Former Double Section Bobbin

Environmental

Operating Temperature -30°C - 45°C (-22°F - 113°F)

Min Installation space between drivers 5" Inch

Thermal Class B130°C

Protections

Circuit Breaker Primary and secondary auto-reset

Mechanical & Housing

Leads Primary PVC 600V #20

Leads Secondary PVC 300V #14

Length 6.62" (168mm)

Width 2.58" (65.6mm)

Height 2.33" (59.1mm)

Weight 9oz (255grams)

Housing Material Coated metal

Housing Color Black

Junction Box Yes

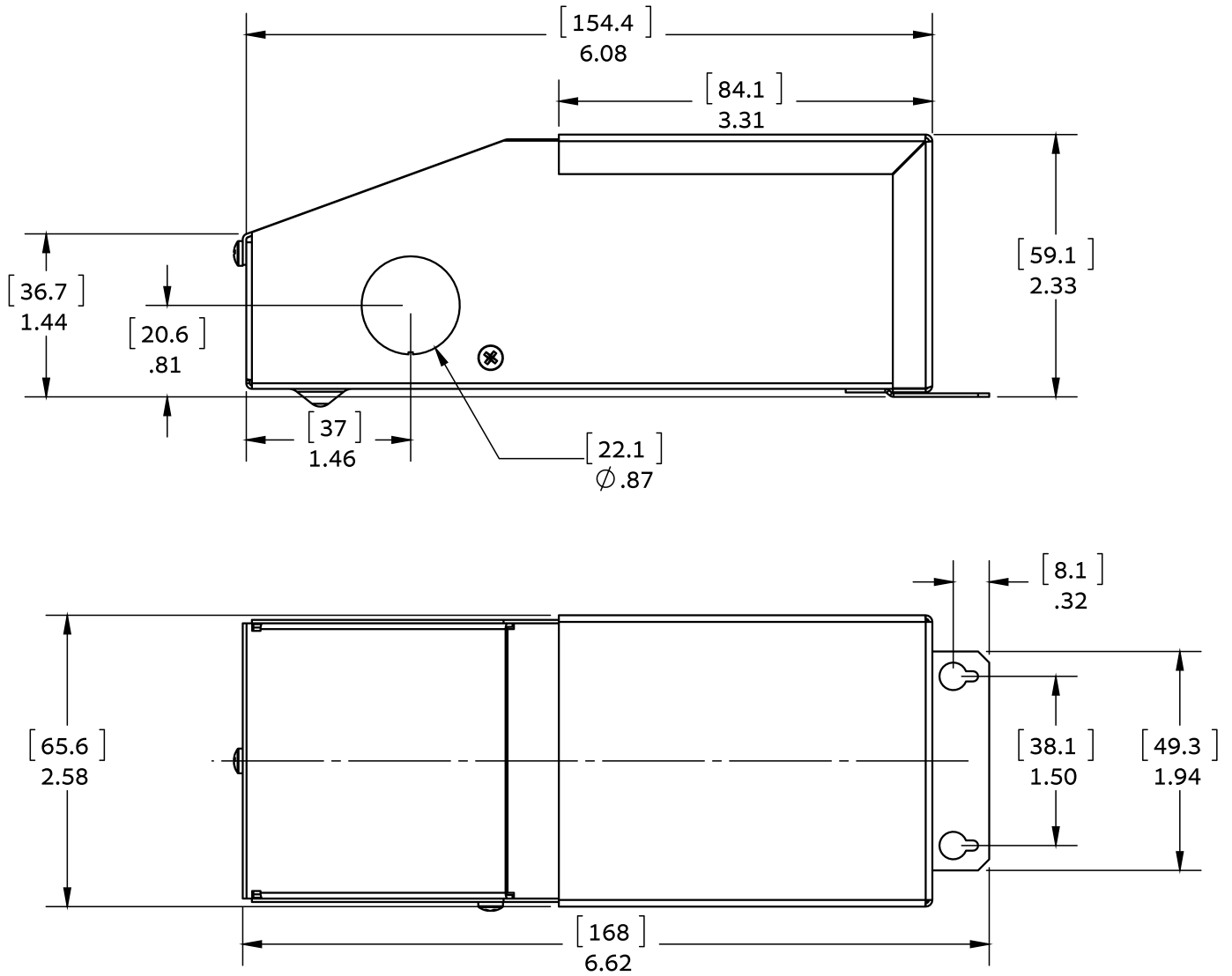
Mounting Two Hole flange mounting

Approval Markings

Certificates / Approval Signs UL 8750, class 2

MD-SERIES MAGNETIC DIMMABLE CLASS 2 LED DRIVER

MECHANICAL DIAGRAM



MD-SERIES MAGNETIC DIMMABLE CLASS 2 LED DRIVER

