

SEPOD extrusion



| Extrusion model | Finish | Cover | LED Color | LED Output | Length | Mounting | Wire Lead |
|-----------------|--------------|--|--|--|---------------|--|--|
| B6593 | A | | | | | | |
| | A – Anodized | FC – SZER Frosted LC- LIGER Frosted Matte CC – SZER Clear | 27 – 2700K 30 – 3000K 35 – 3500K 40 – 4000K RGB- Red, Green & Blue | LO – Low output MO – Medium output HO – High Output HD- High Density High Output XX- RGB | Any up to 78" | T – TESPO Mounting Track KMA – KMA springs GP – GP springs | 36 – 36" 72 – 72" 36F - 36" with female connector 72F - 72" with female connector 36M - 36" with male connector 72M - 72" with male Connector |

| Output Type | Lumens at 3000k* | Watts per foot |
|-------------|------------------|----------------|
| LO | 448 Lm/f | 6 W/f |
| MO | 1060 Lm/f | 12 W/f |
| HO | 1500 Lm/f | 18 W/f |
| HD | 1840 Lm/f | 22.4 W/f |
| RGB | 972 Lm/F | 18 W/f |

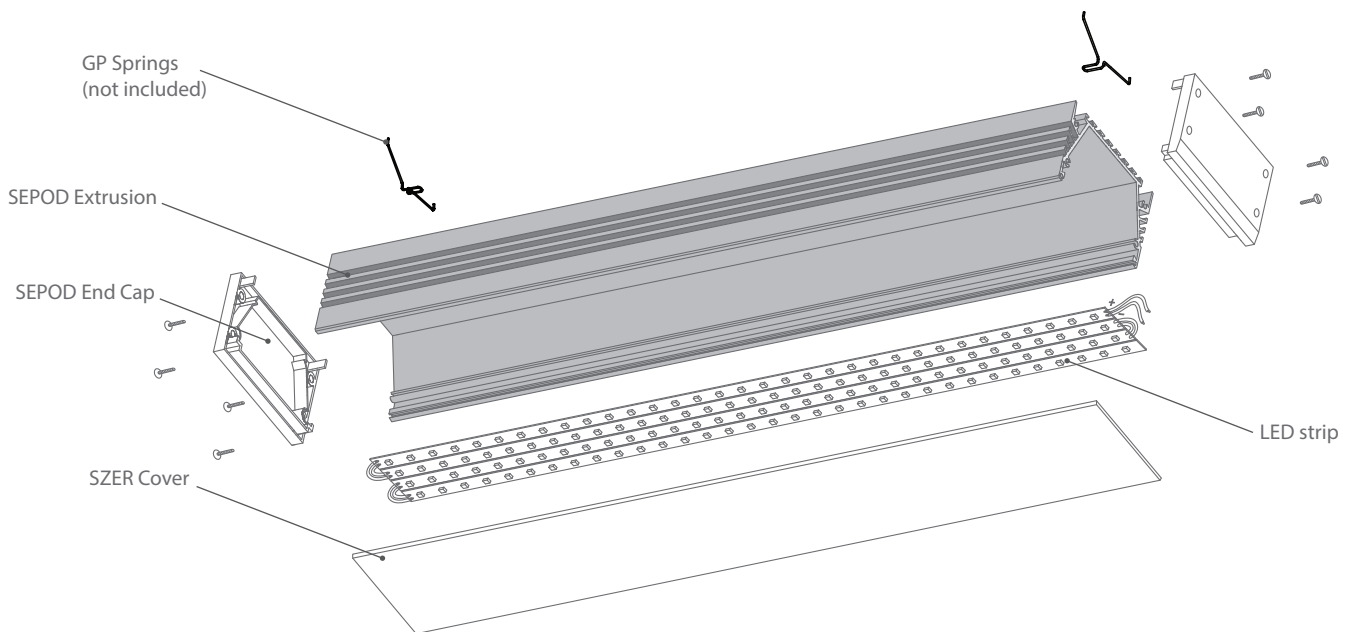


FIXTURE CODE:

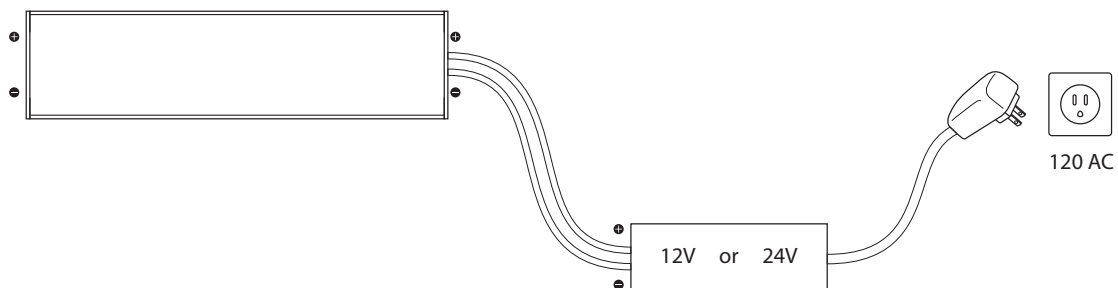
Wire out back of extrusion



Basic fixture components



Wiring diagram

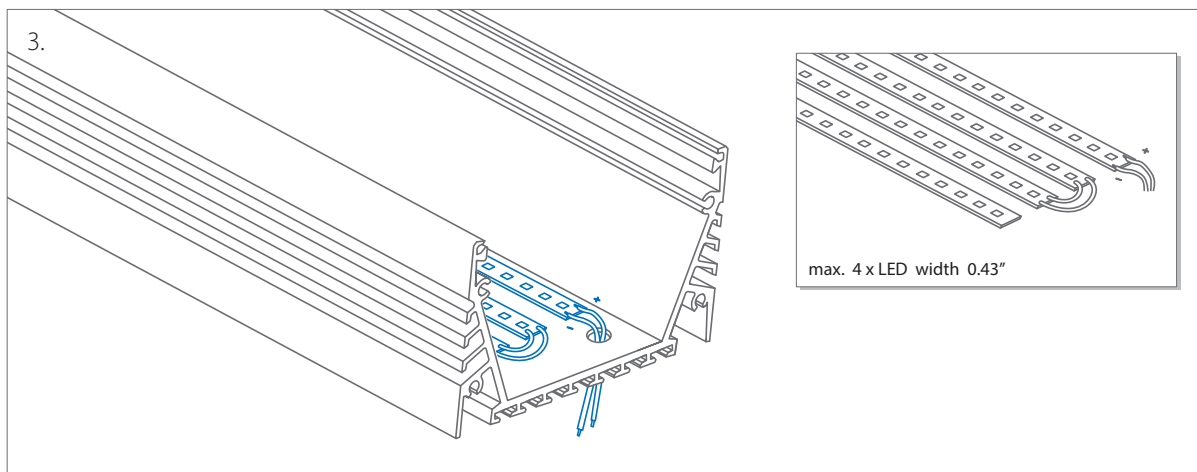
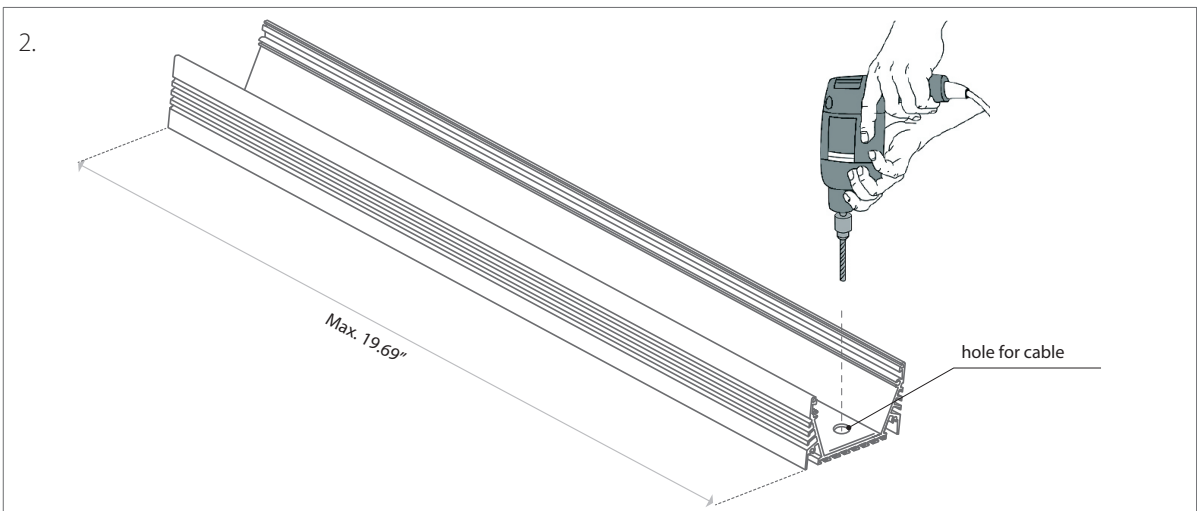
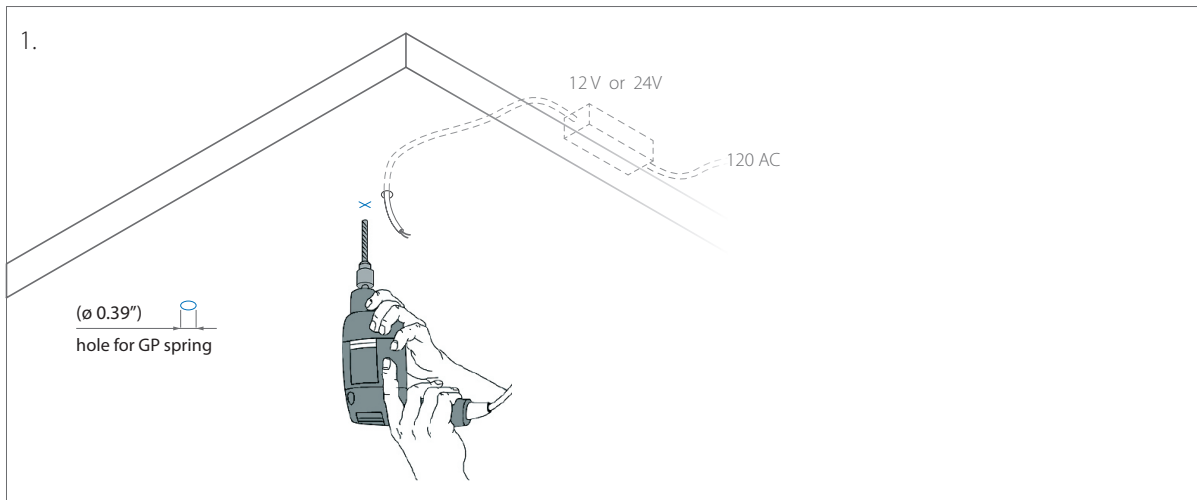


- Use a damp cloth, never a strong cleaning agent to clean the fixture.
- Please contact a qualified electrician if you are uncertain of assembling or mounting the fixture.
- We assume no liability for damages resulting from improper installation.
- We reserve the right to make changes in the product design.

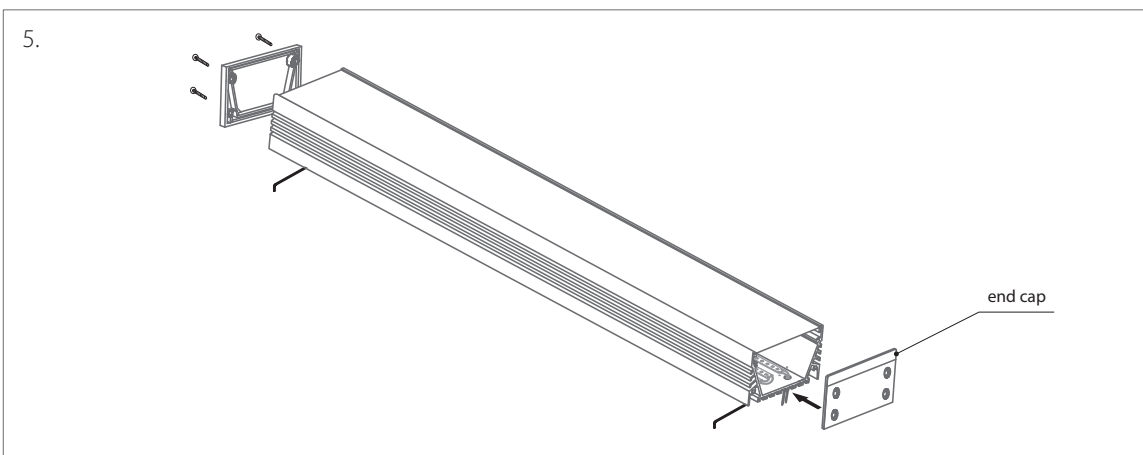
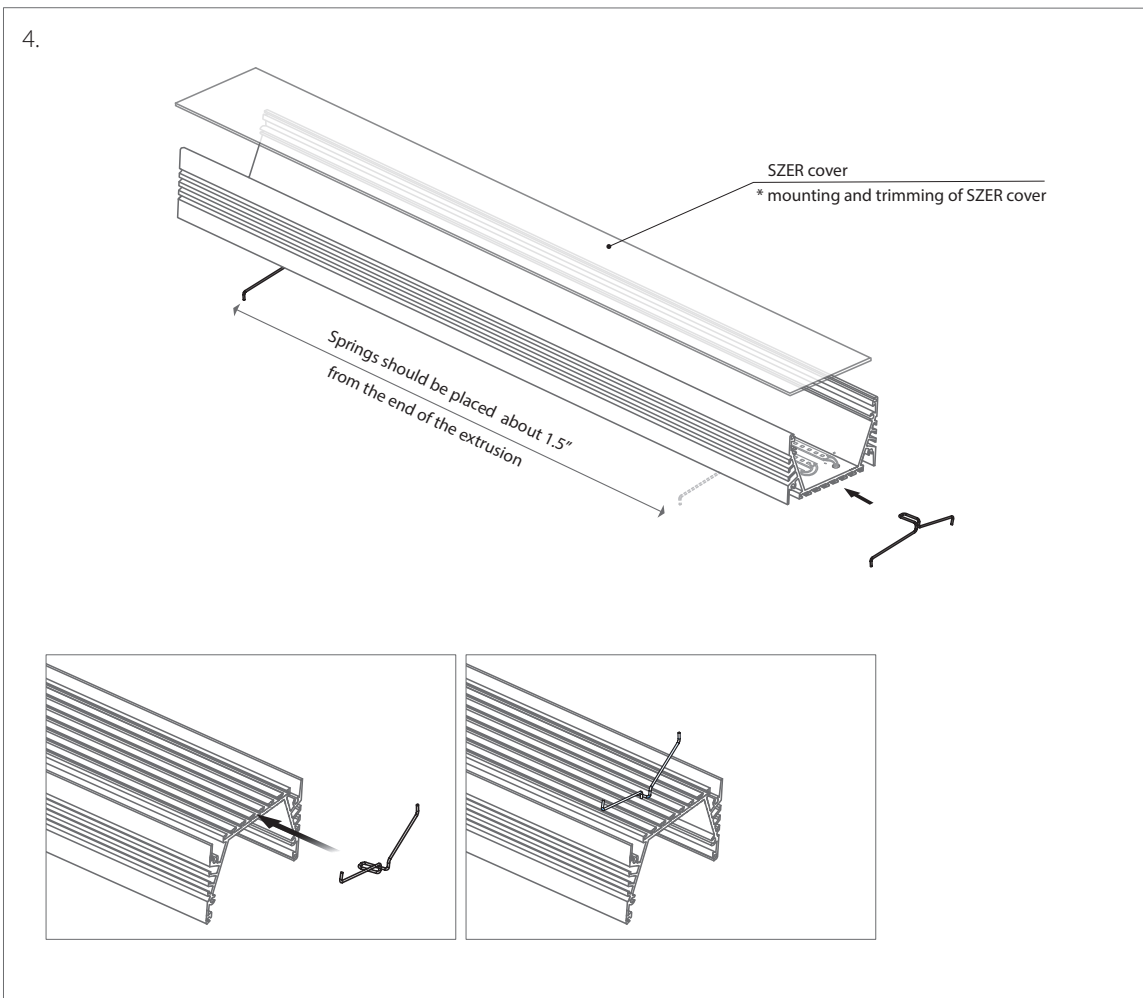
ATTENTION!
For montage with GP springs, the extrusion length cannot exceed 19.69"



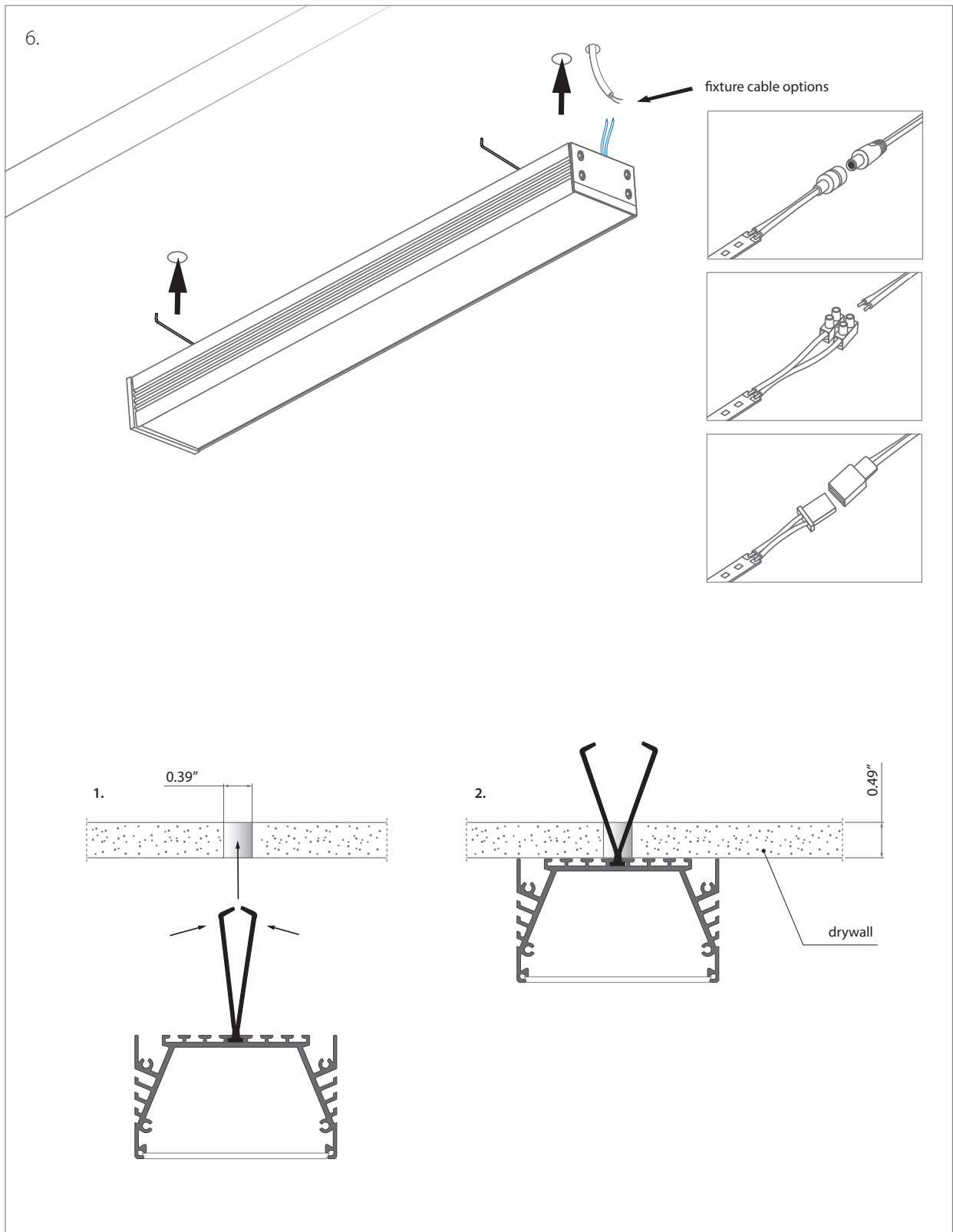
Mounting Instruction



Mounting Instruction



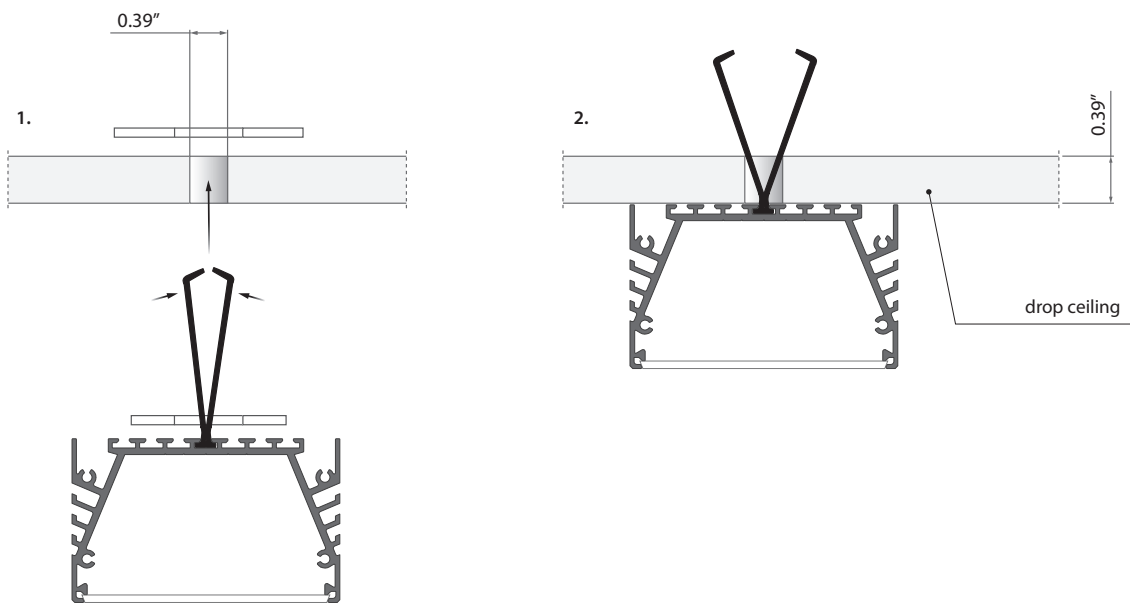
Mounting Instruction



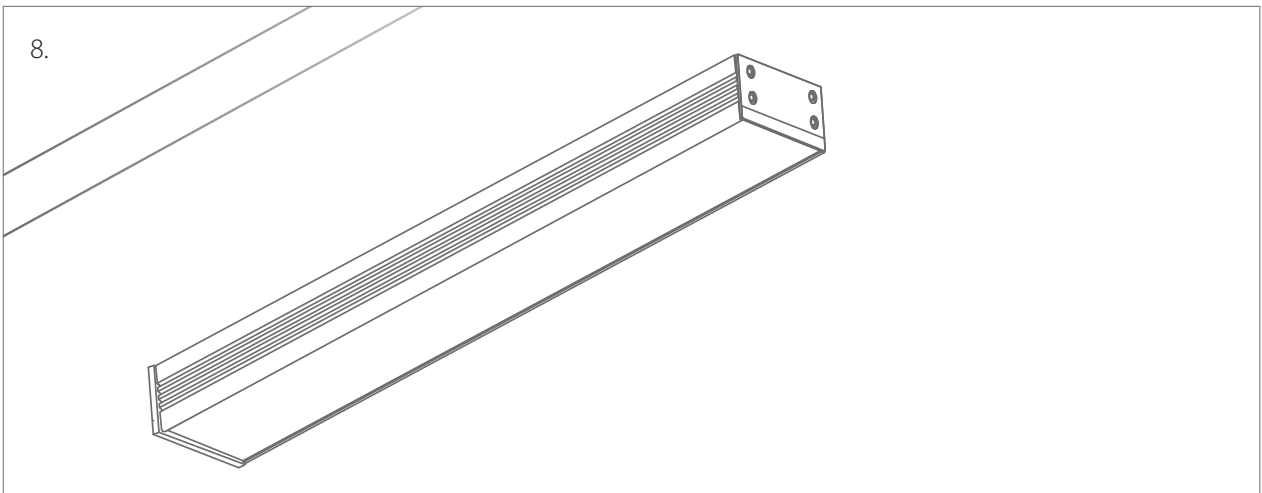
Mounting Instruction

7.

NOTE - when mounting to an Armstrong drop ceiling, you should additionally secure the opening with plastic washers

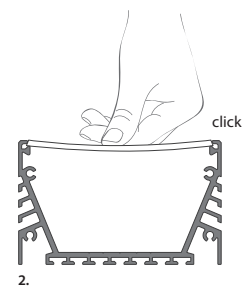
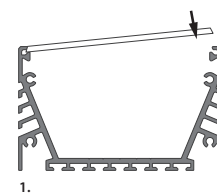
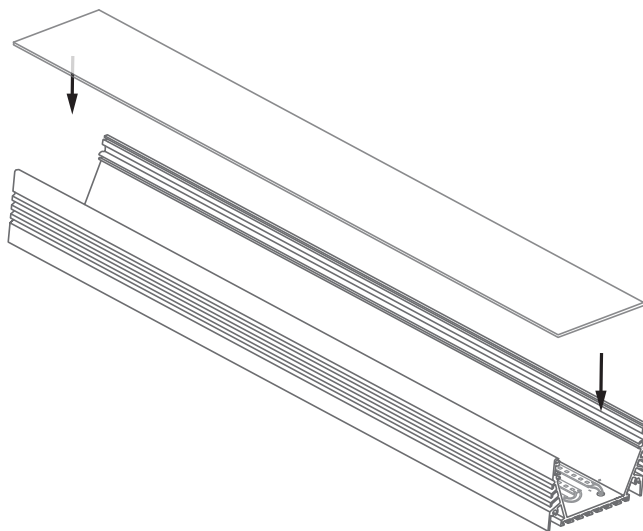
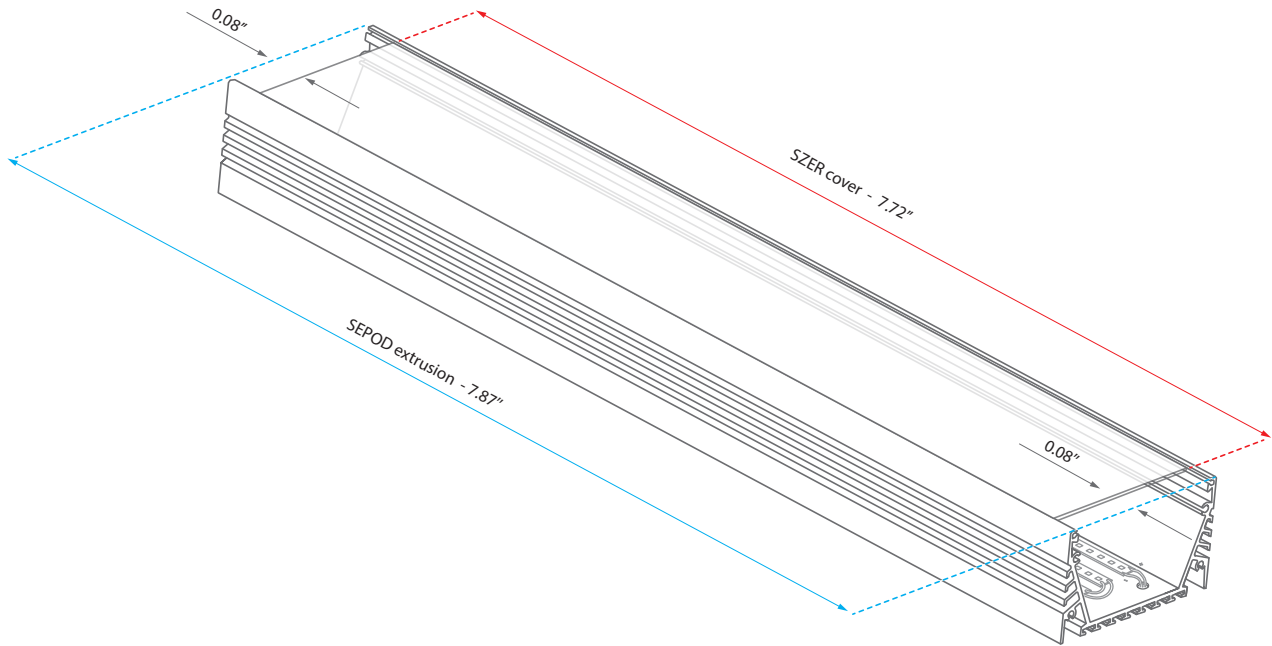


8.



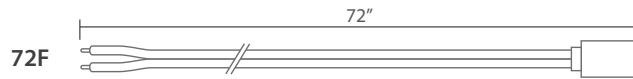
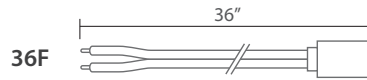
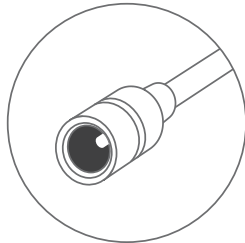
Mounting and trimming of SZER cover

The SZER cover should be cut slightly shorter than the profile due to the different expansion coefficient of aluminum and plastic. The difference in length should be adequate in relation to the length of the luminaire. Ex. For a 2 meter luminaire the SZER cover should be shorter by 2mm on each end.

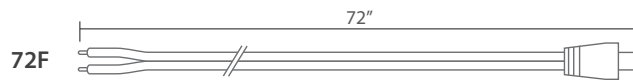
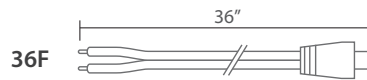
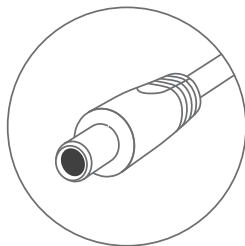


Fixture cable options

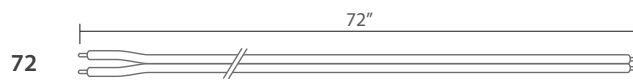
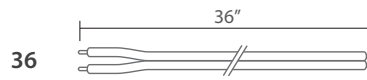
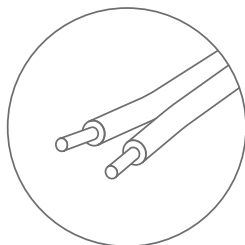
Female end



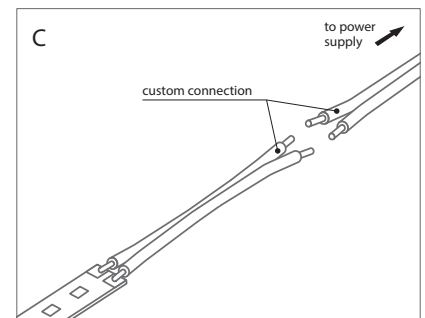
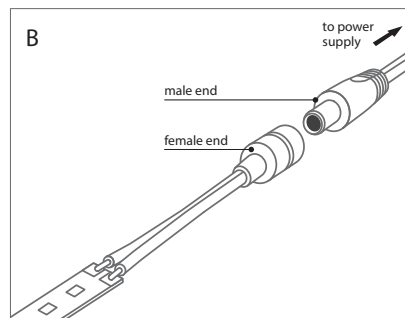
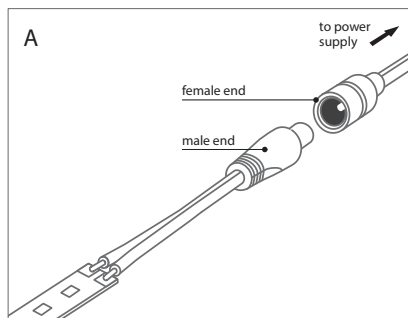
Male end



Wire end

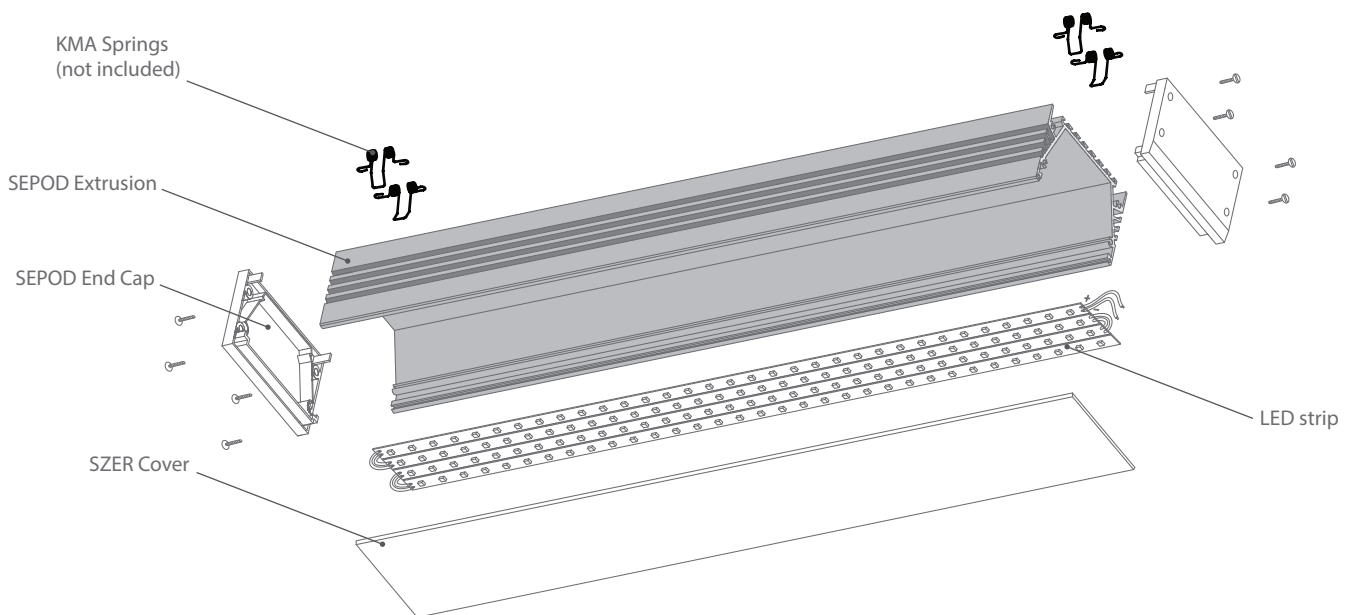


*Examples of attaching a KLUS fixture to the power supply

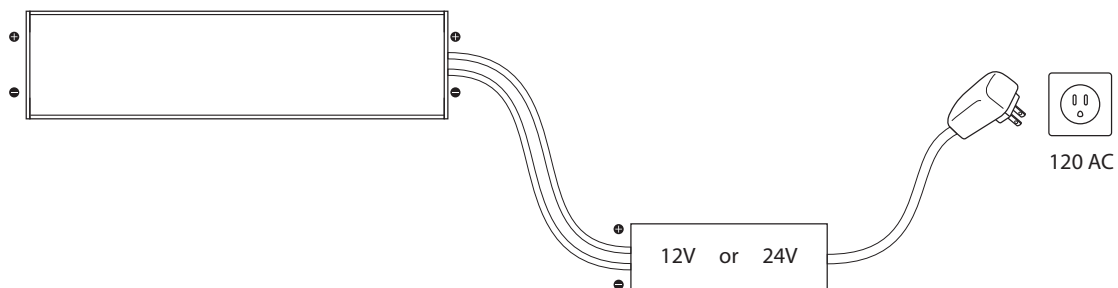




Basic fixture components



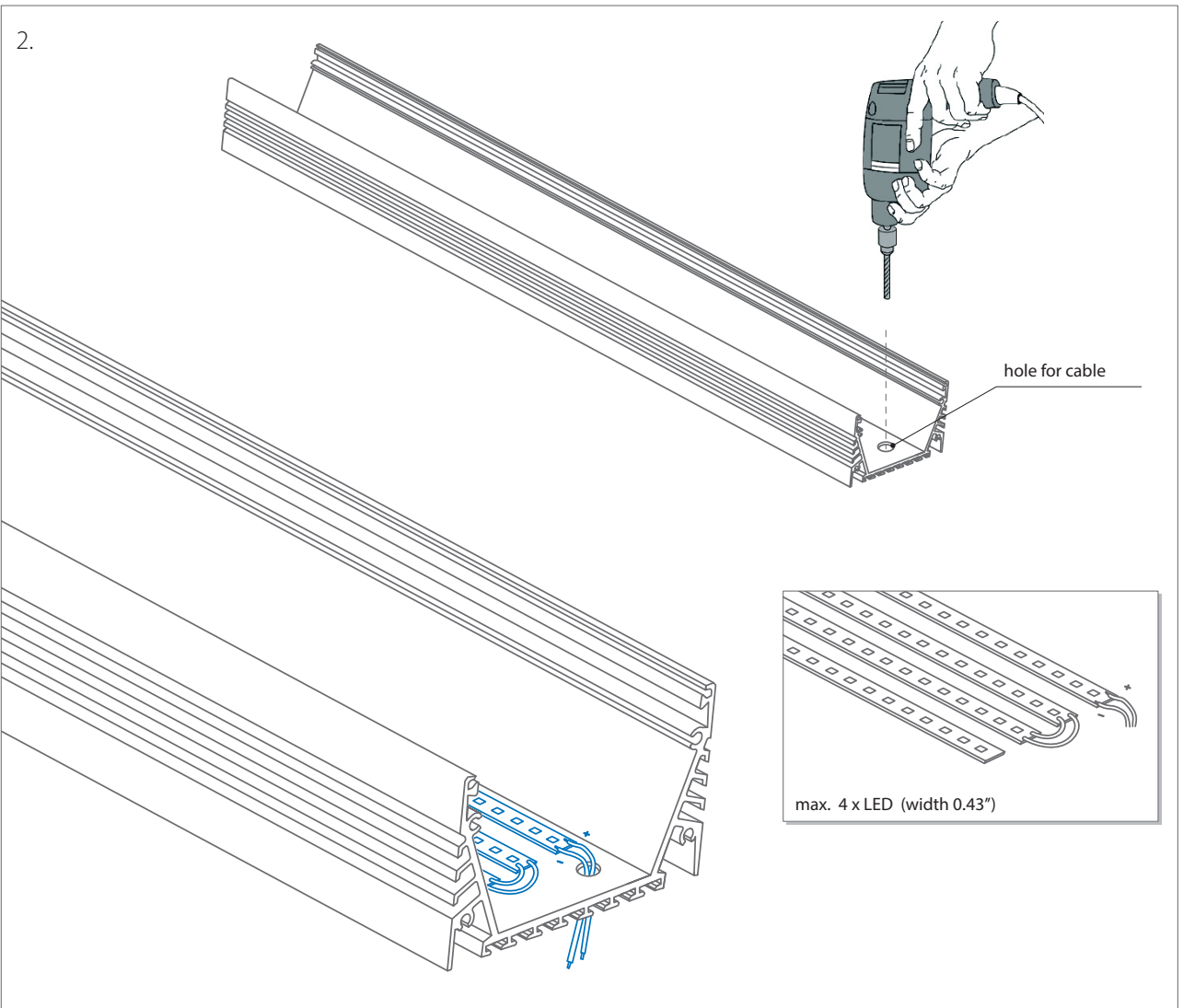
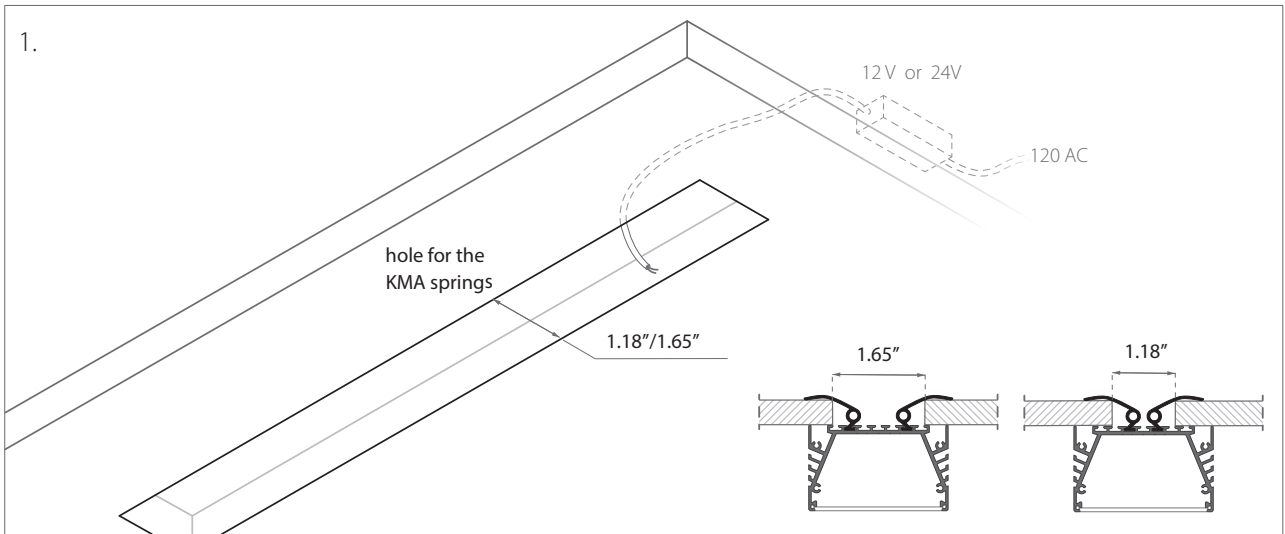
Wiring diagram



- Use a damp cloth, never a strong cleaning agent to clean the fixture.
- Please contact a qualified electrician if you are uncertain of assembling or mounting the fixture.
- We assume no liability for damages resulting from improper installation.
- We reserve the right to make changes in the product design.

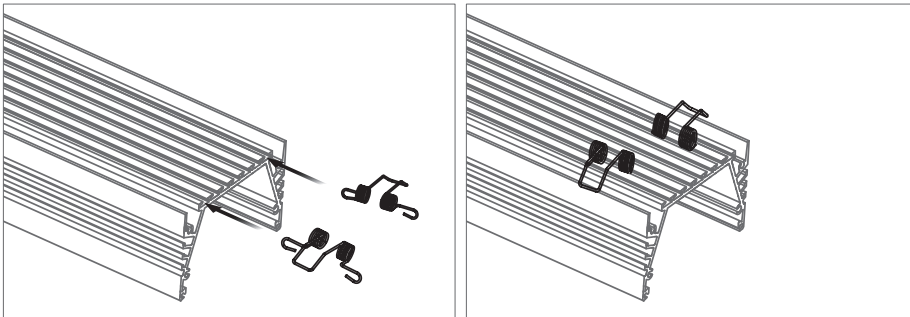
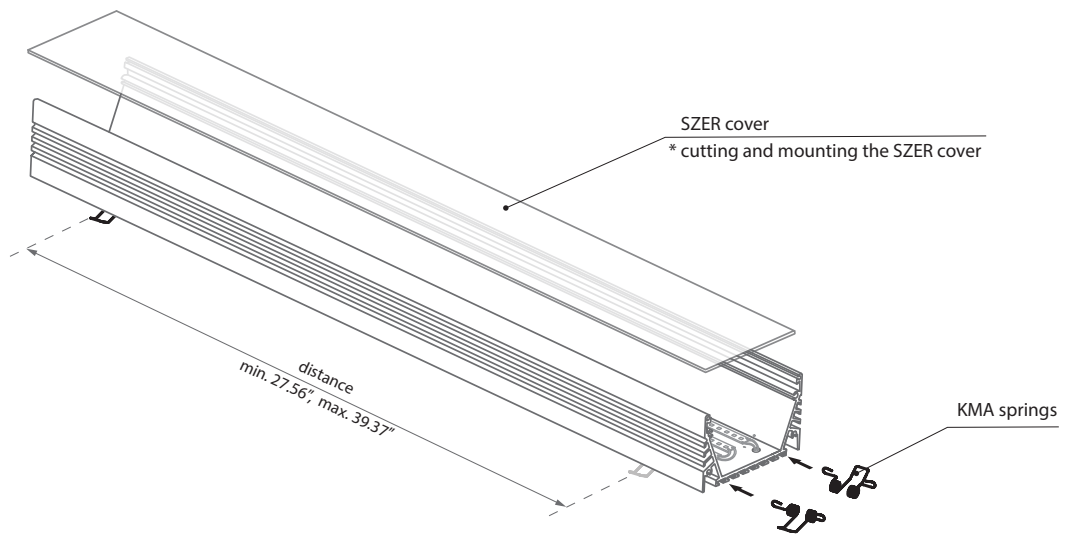


Mounting Instruction

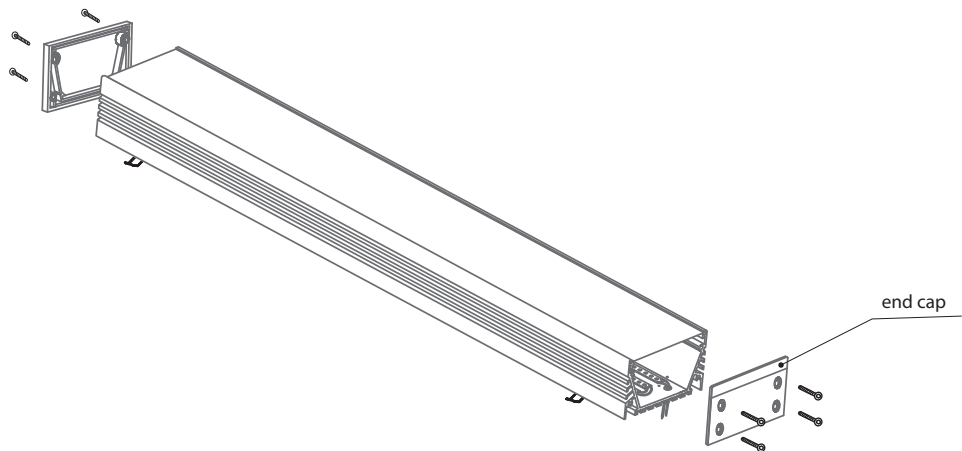


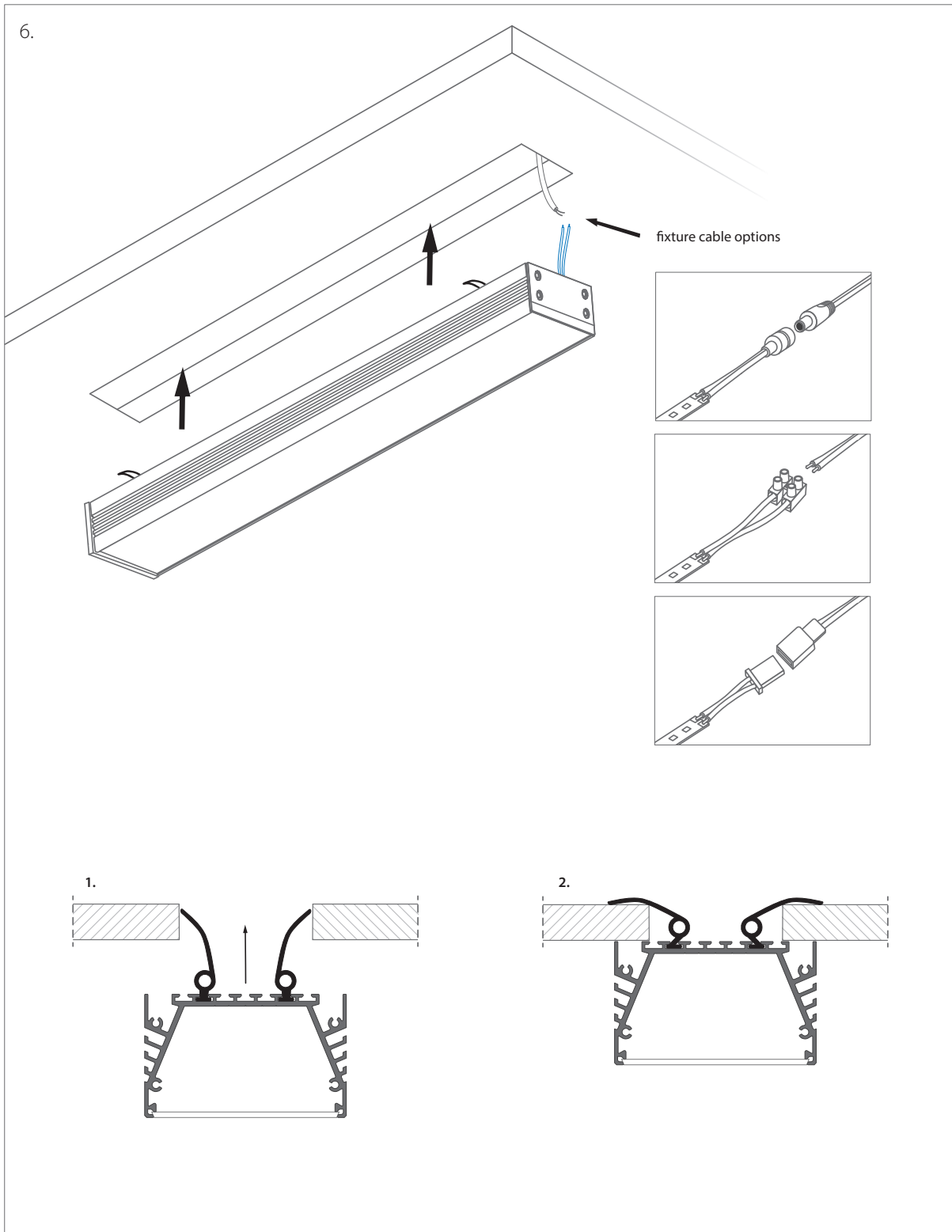
Mounting Instruction

4.

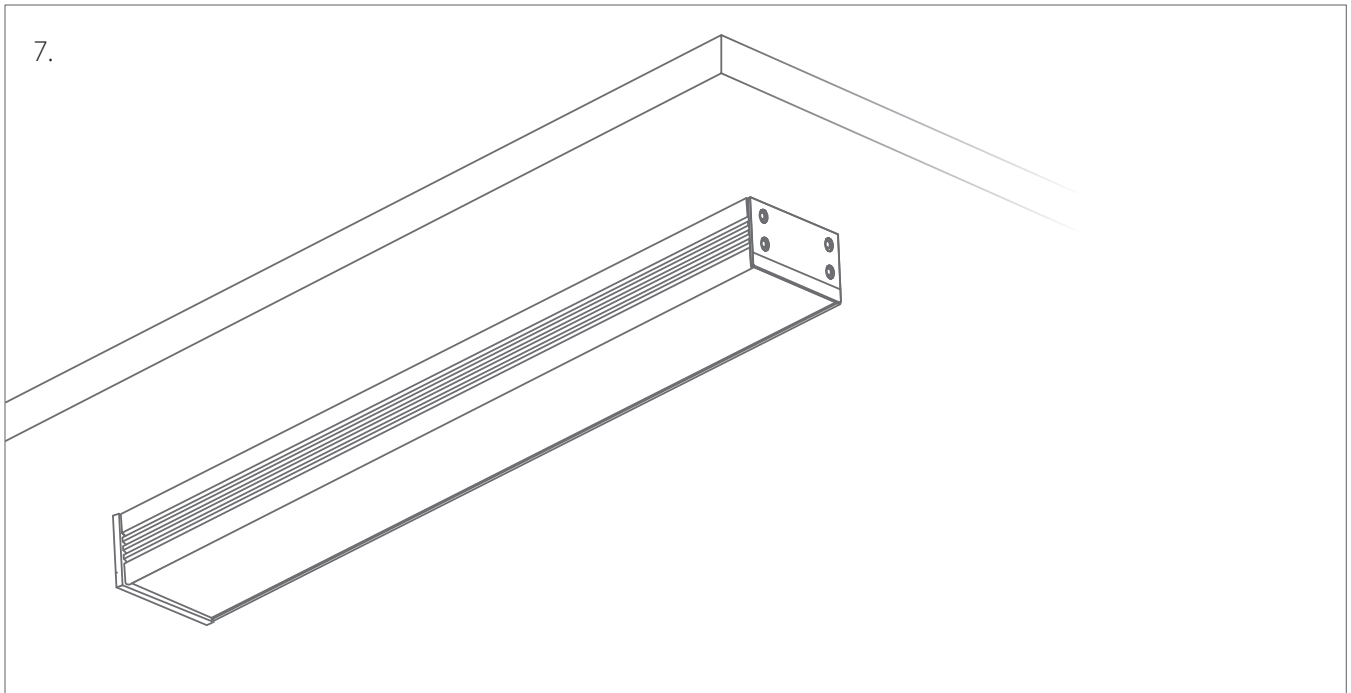


5.



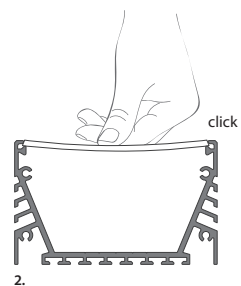
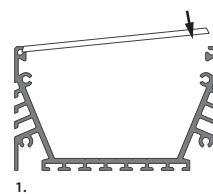
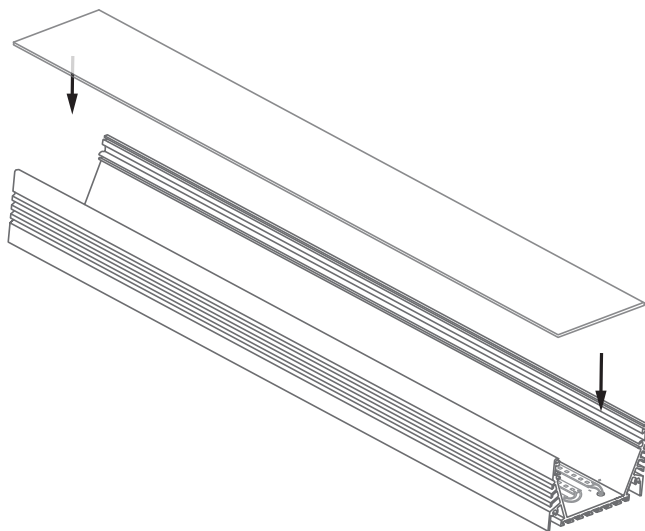
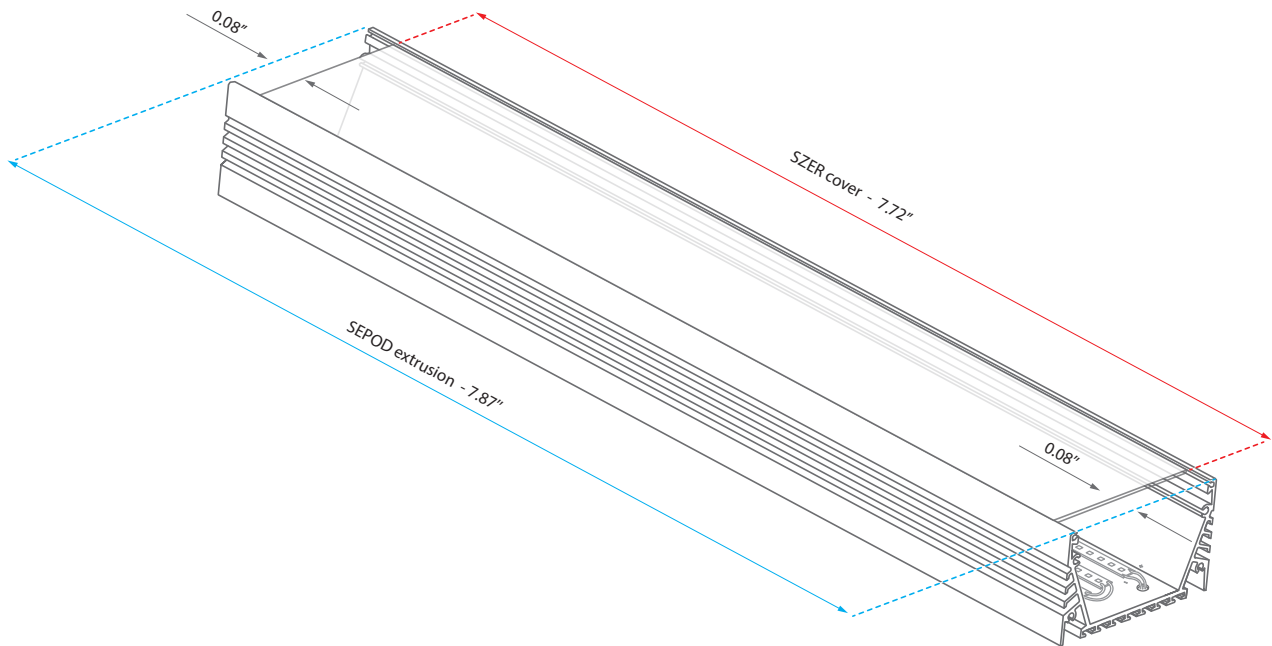


Mounting Instruction



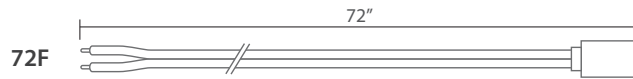
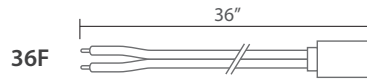
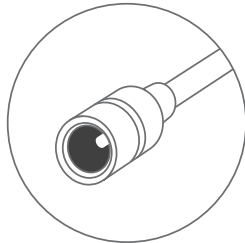
Mounting and trimming of SZER cover

The SZER cover should be cut slightly shorter than the profile due to the different expansion coefficient of aluminum and plastic. The difference in length should be adequate in relation to the length of the luminaire. Ex. For a 2 meter luminaire the SZER cover should be shorter by 2mm on each end.

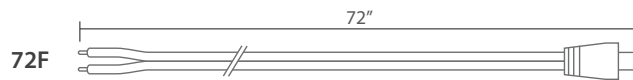
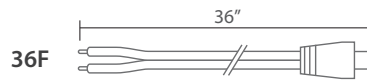
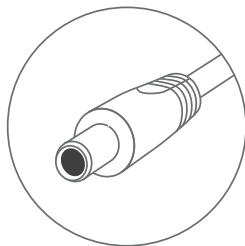


Fixture cable options

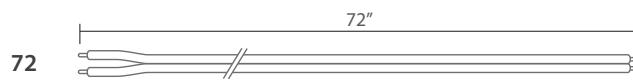
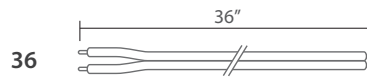
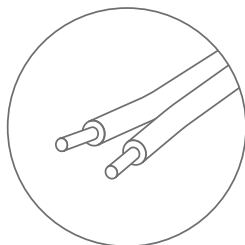
Female end



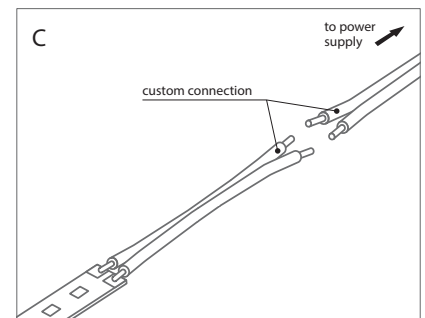
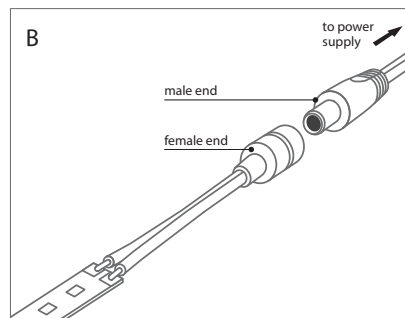
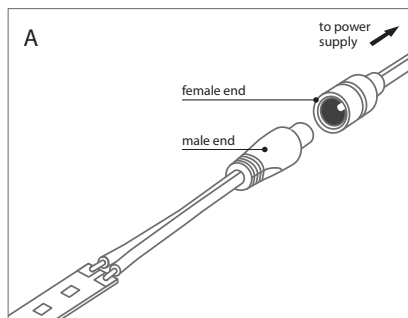
Male end



Wire end

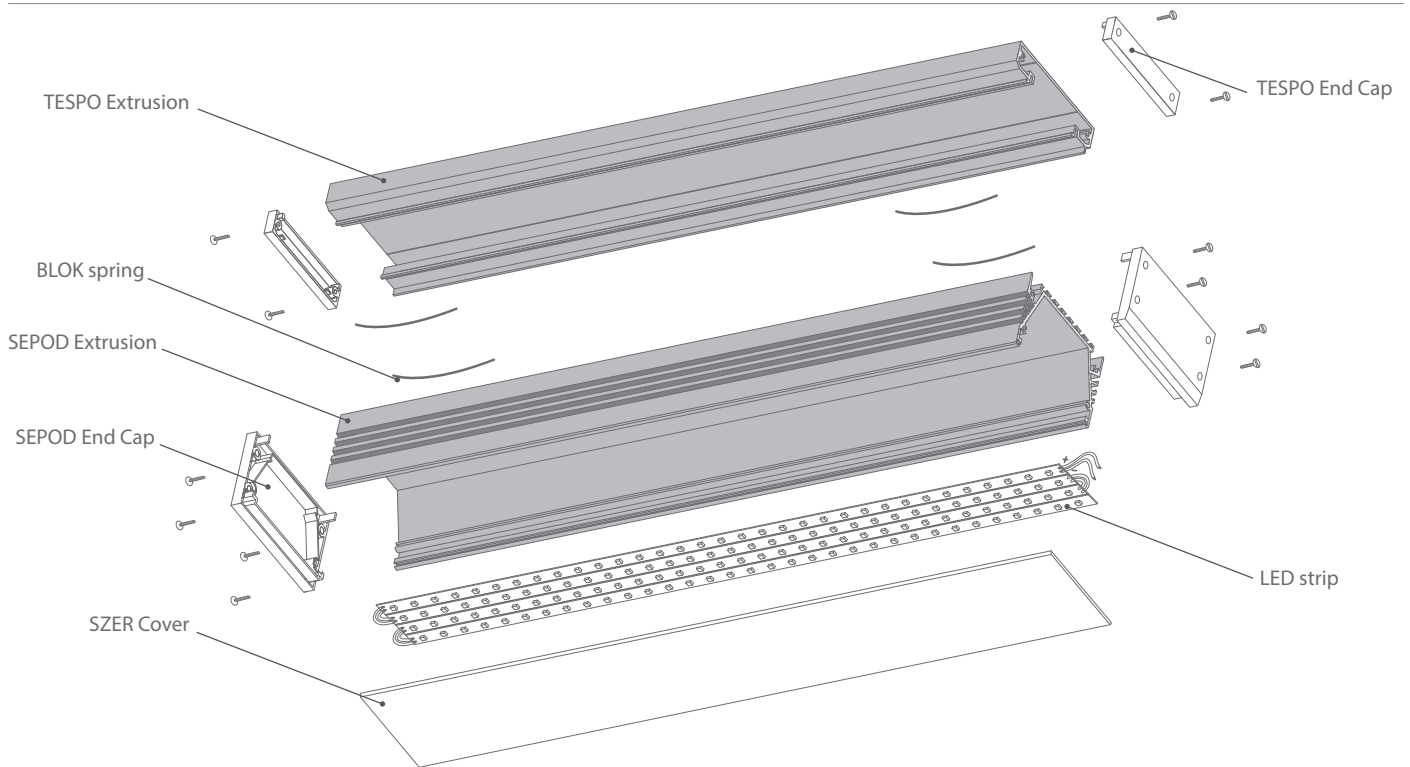


*Examples of attaching a KLUS fixture to the power supply

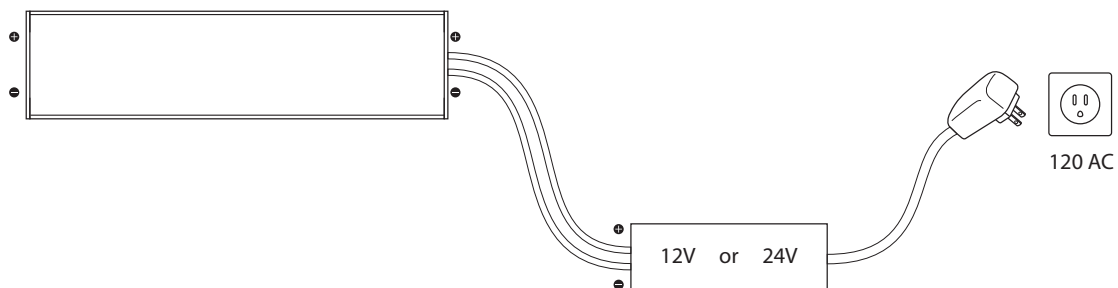




Basic fixture components



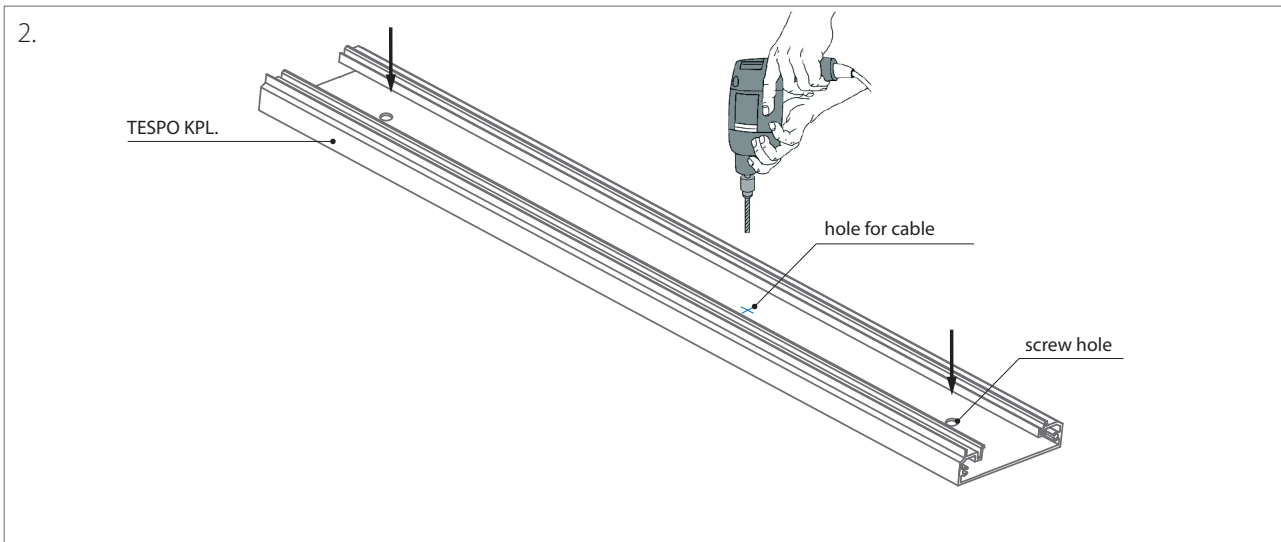
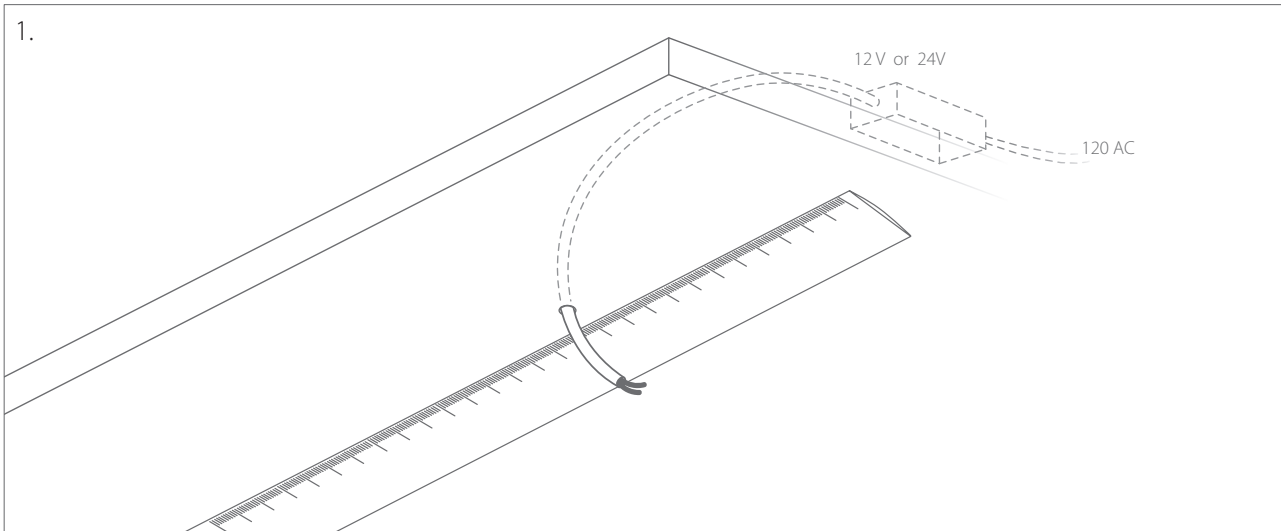
Wiring diagram



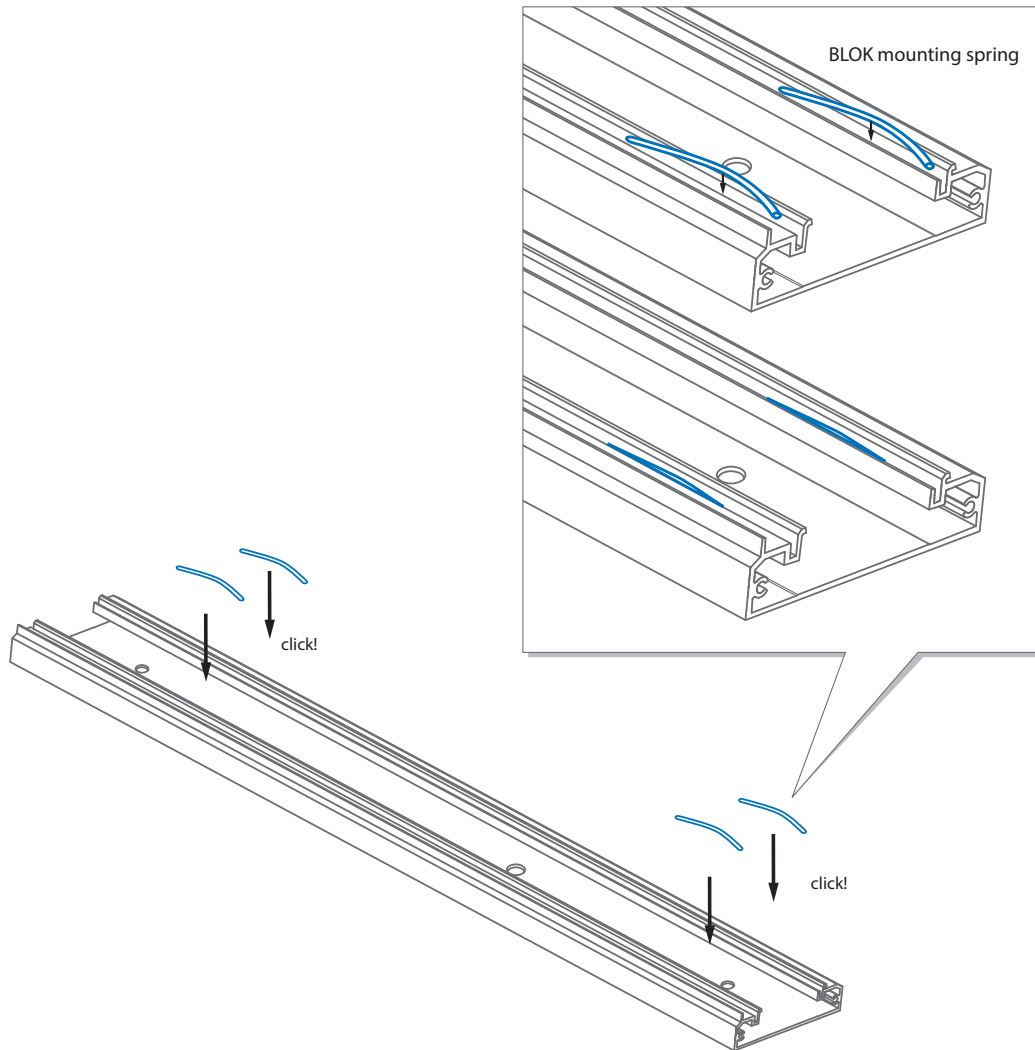
- Use a damp cloth, never a strong cleaning agent to clean the fixture.
- Please contact a qualified electrician if you are uncertain of assembling or mounting the fixture.
- We assume no liability for damages resulting from improper installation.
- We reserve the right to make changes in the product design.



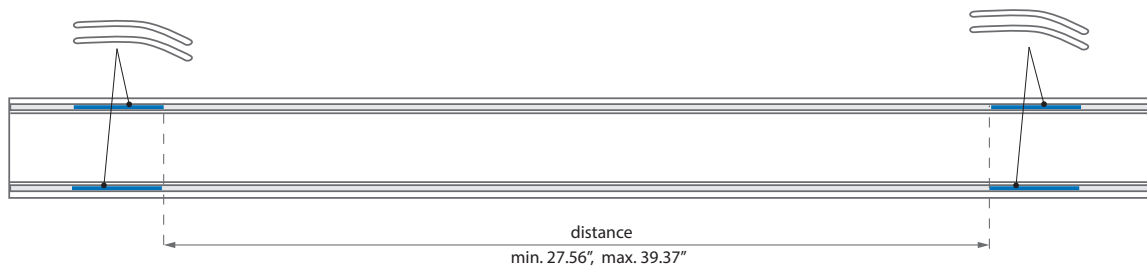
Mounting Instruction



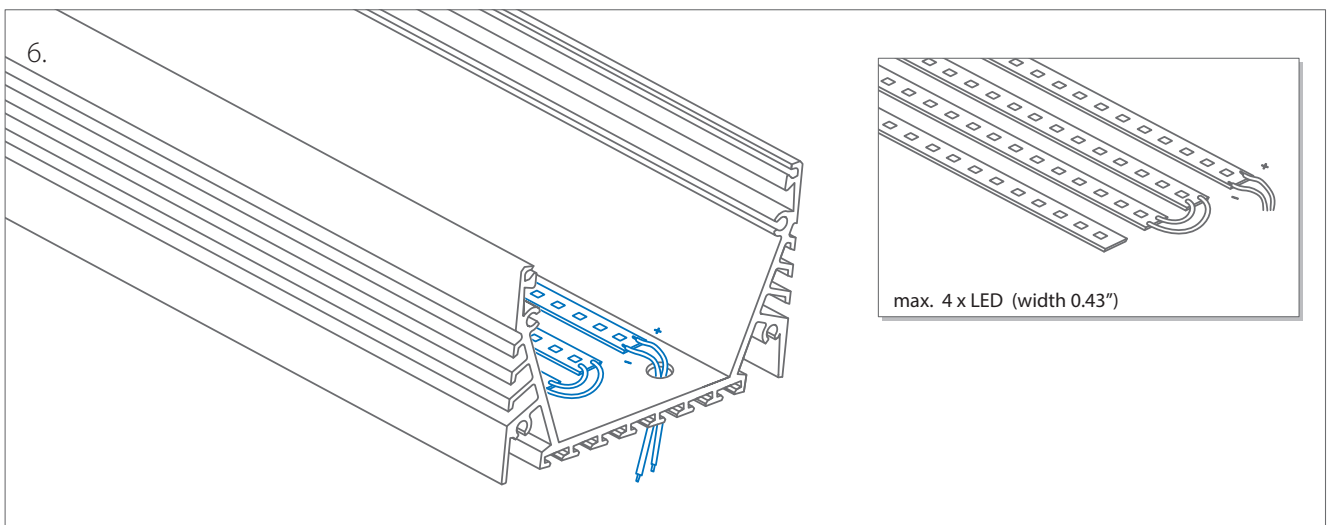
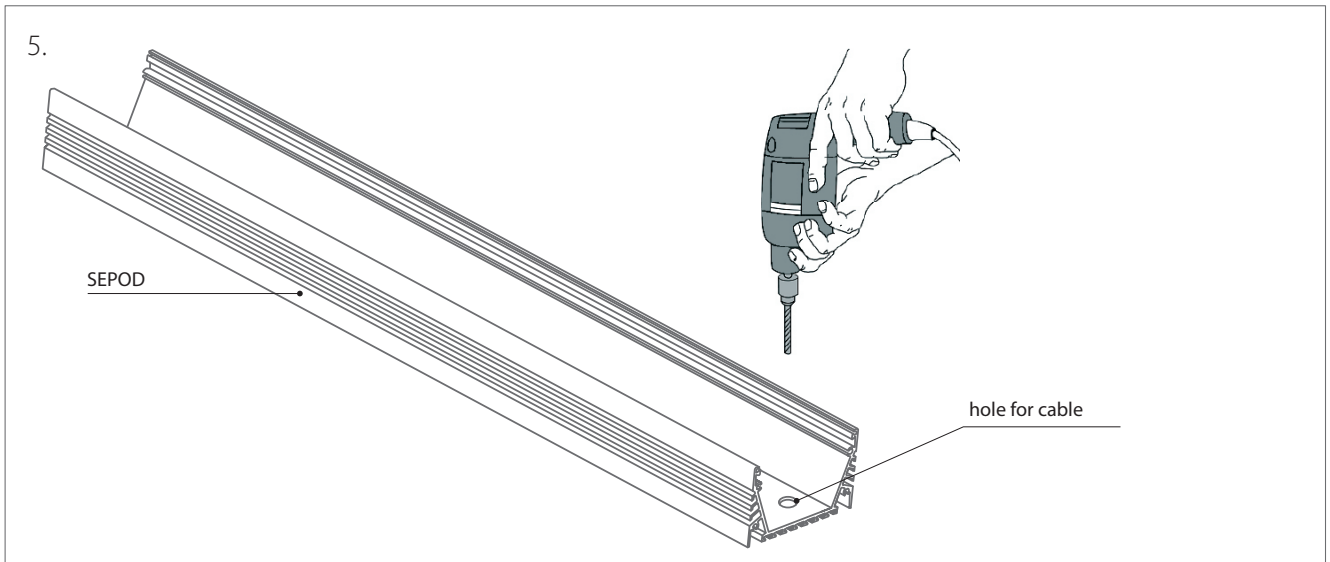
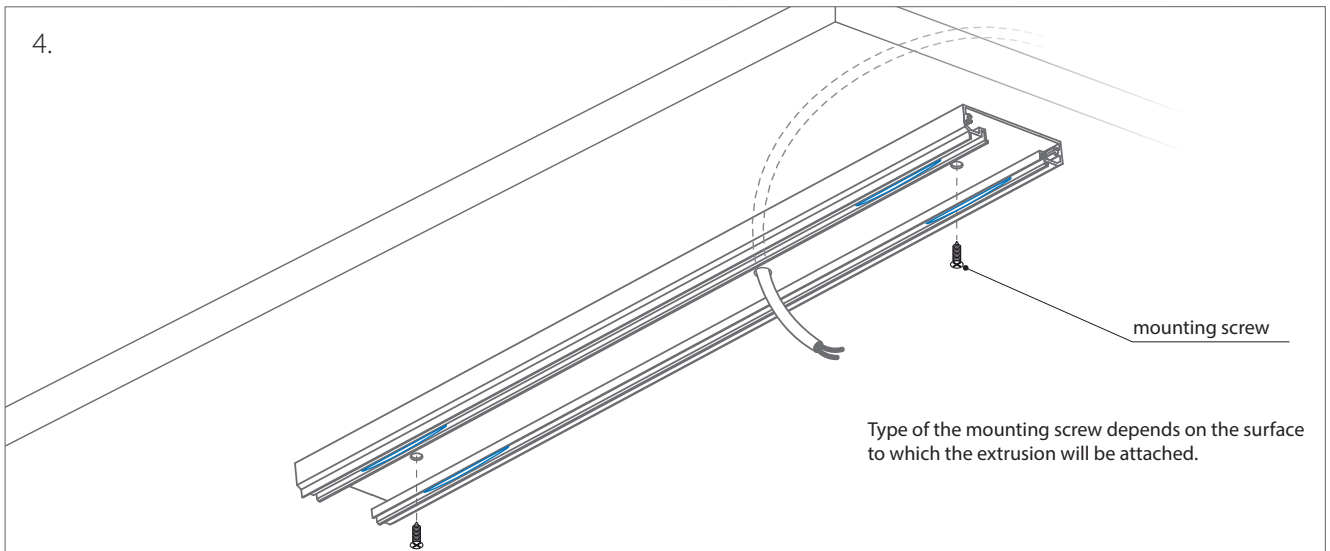
3.



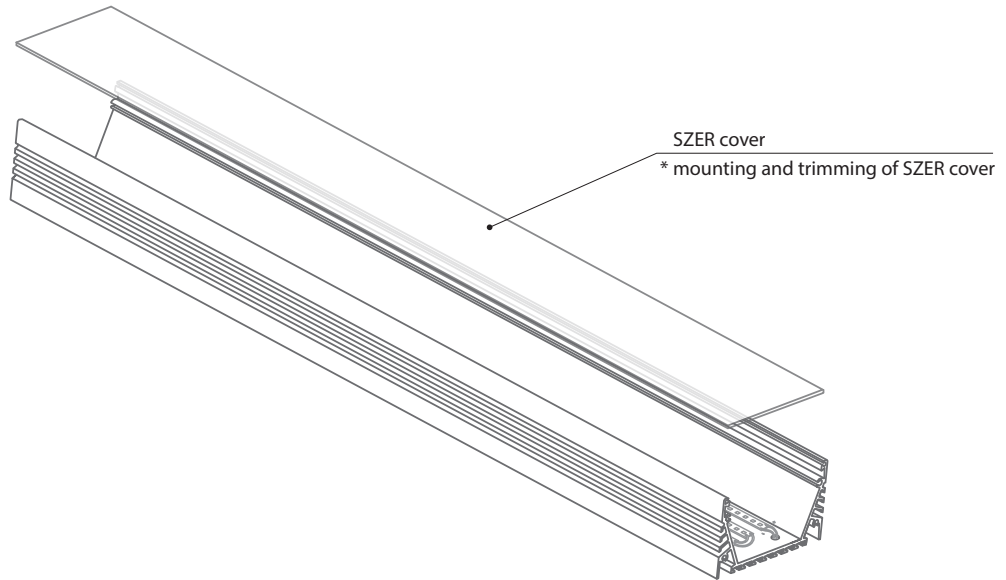
Recommended way to install BLOK springs



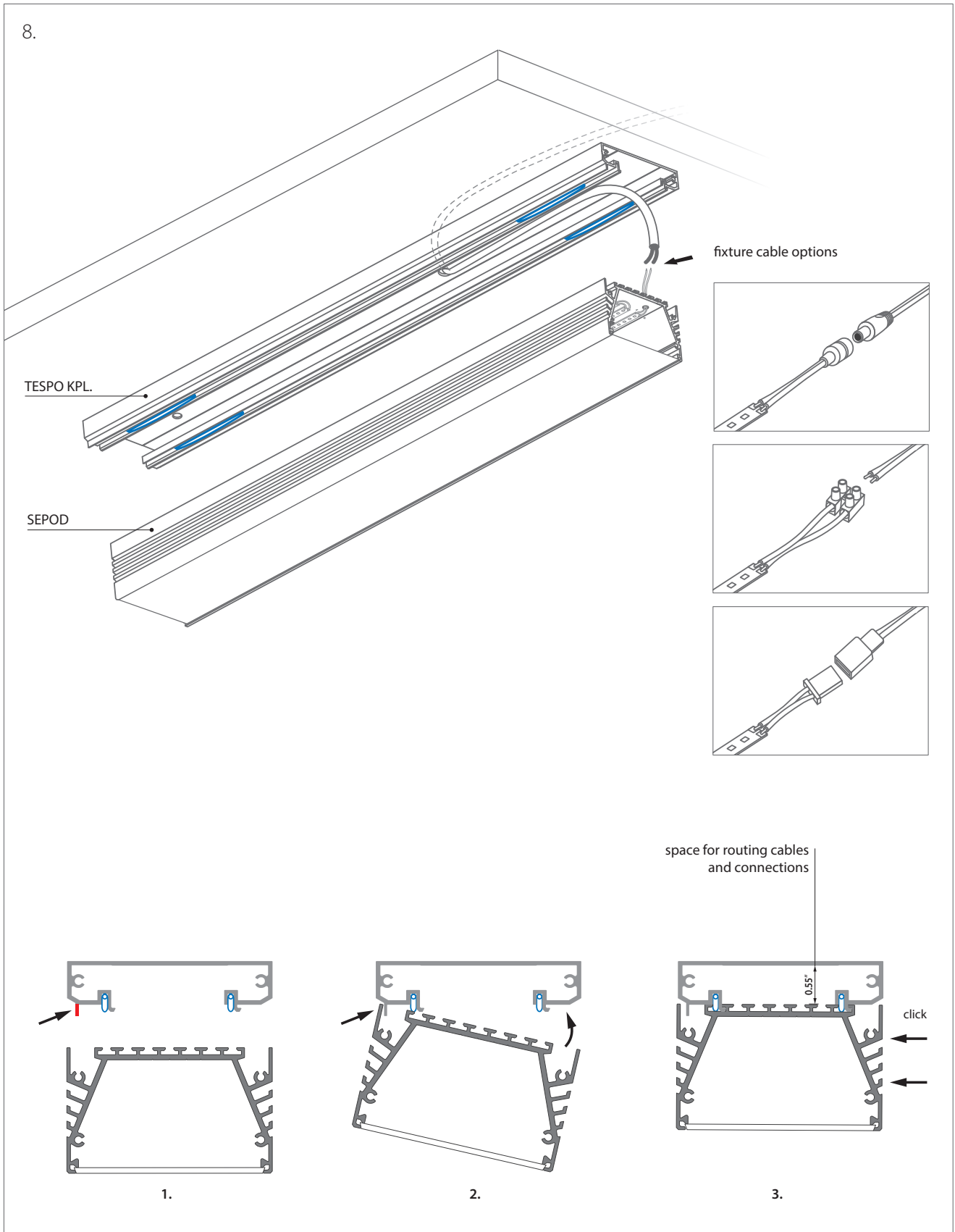
Mounting Instruction



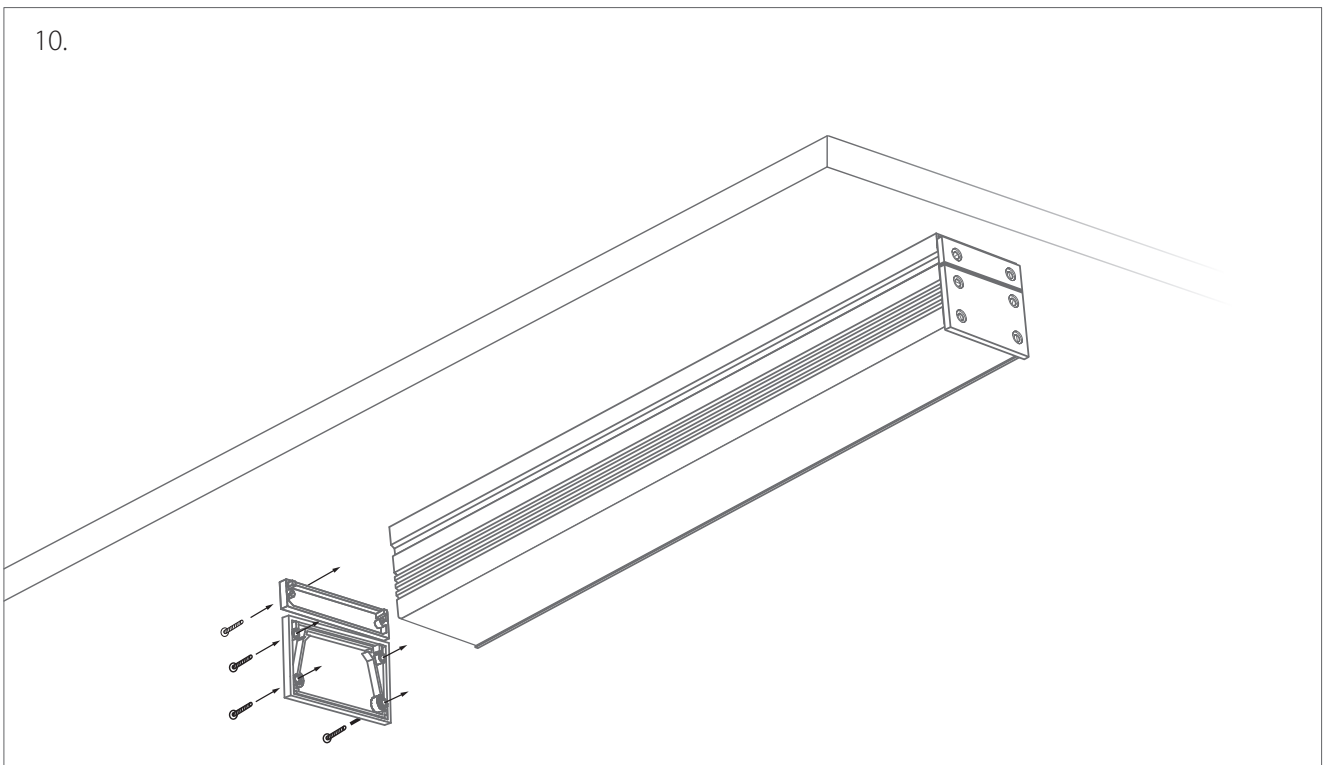
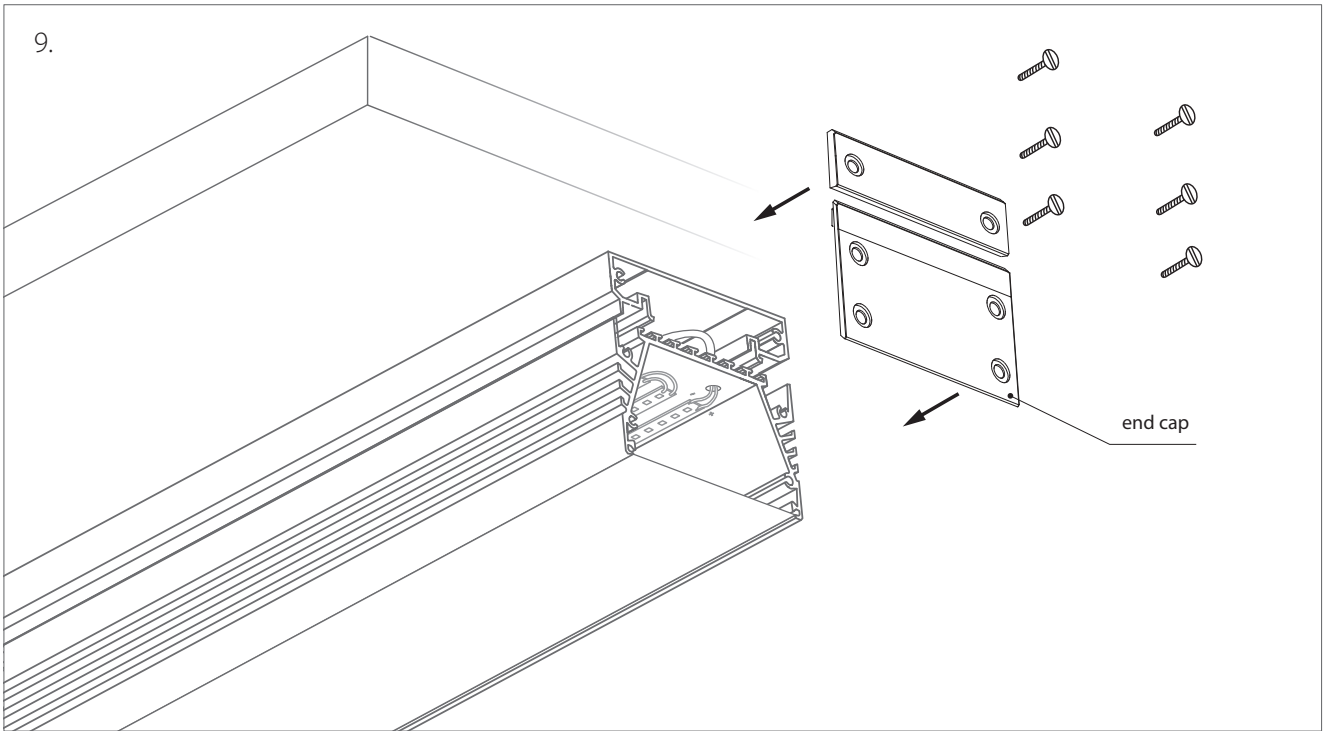
7.



Mounting Instruction

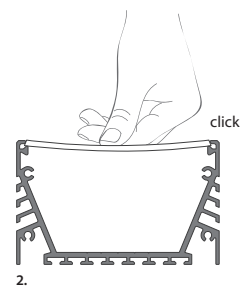
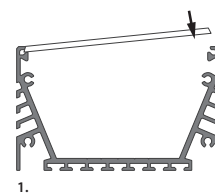
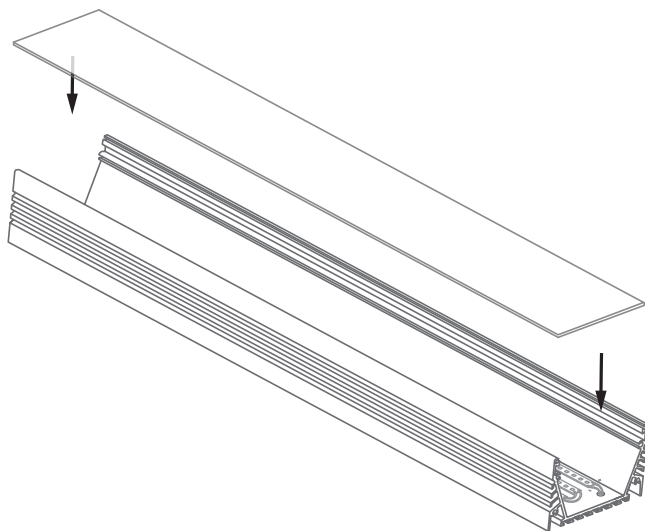
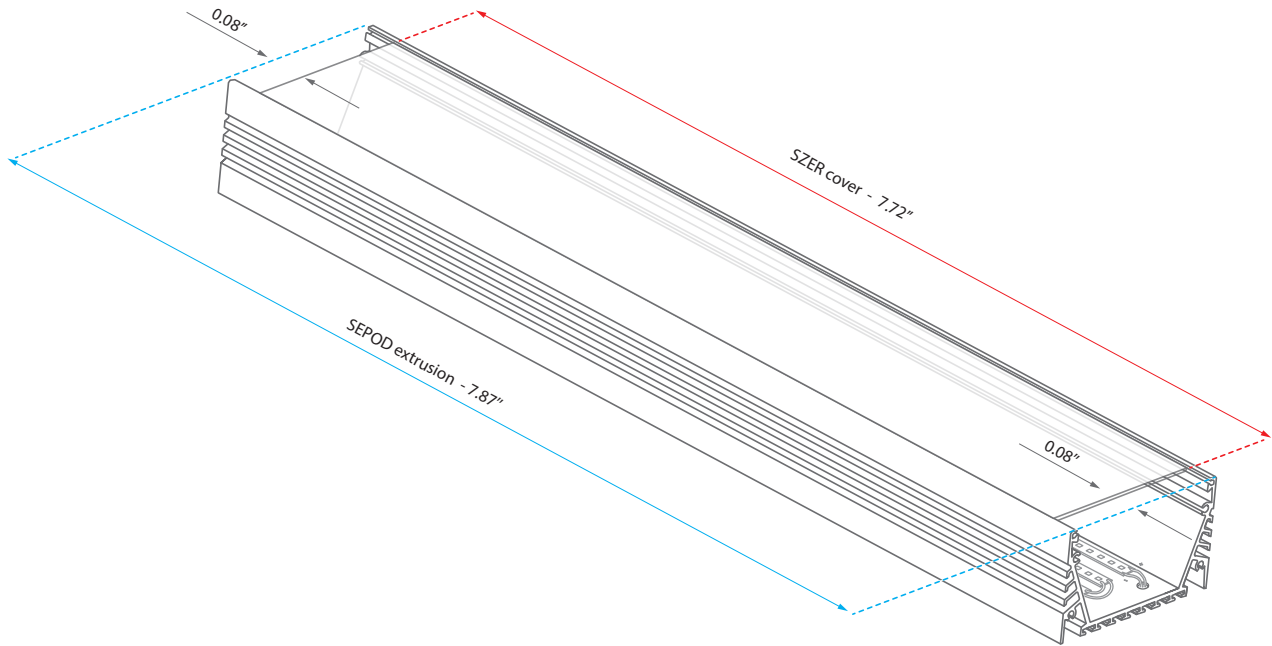


Mounting Instruction



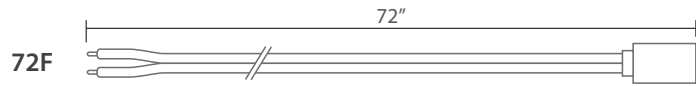
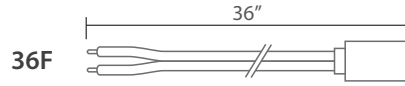
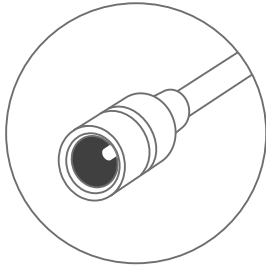
Mounting and trimming of SZER cover

The SZER cover should be cut slightly shorter than the profile due to the different expansion coefficient of aluminum and plastic. The difference in length should be adequate in relation to the length of the luminaire. Ex. For a 2 meter luminaire the SZER cover should be shorter by 2mm on each end.

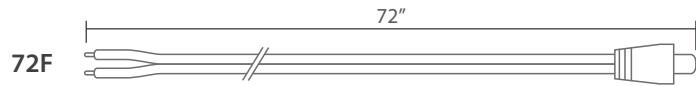
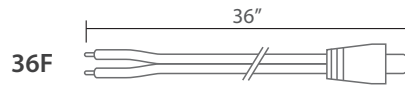
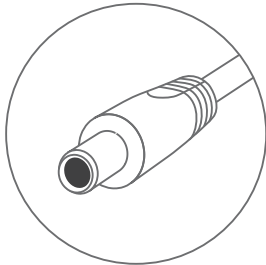


Fixture cable options

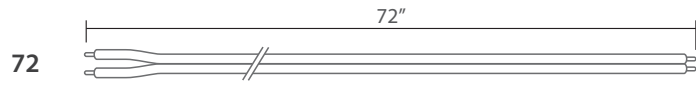
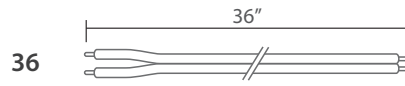
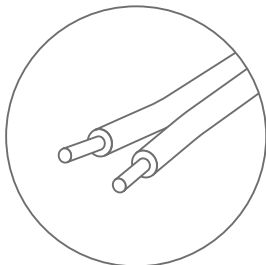
Female end



Male end



Wire end



*Examples of attaching a KLUS fixture to the power supply

