

200W Lighting Transformer

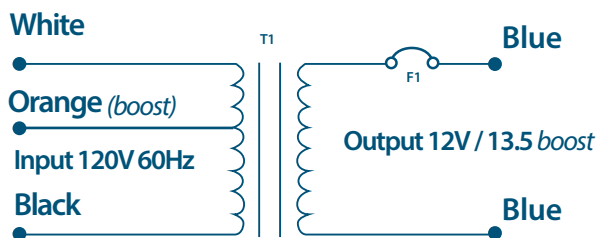
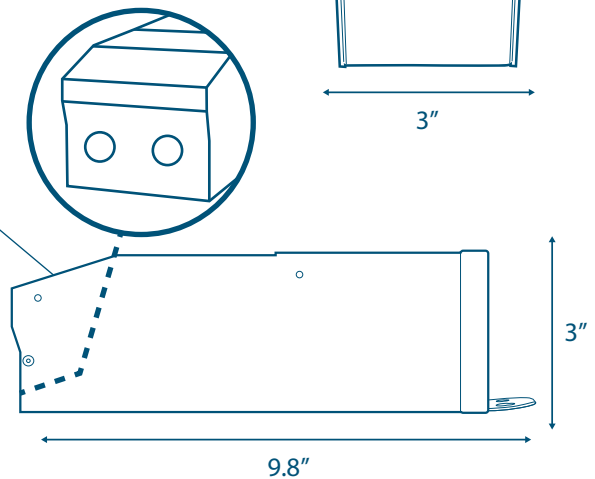
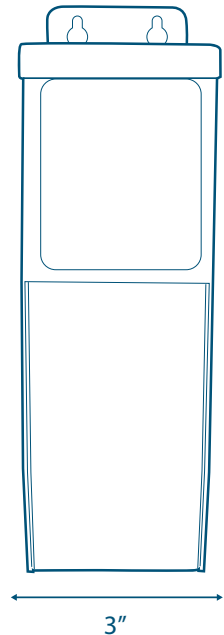
Outdoor & Indoor Magnetic Lighting Transformer

Product Code: M200SOD

Input leads are 18 AWG. Output leads are 12 AWG. Lead insulation is 105°C. The transformer uses a class B 130°C insulation system. The Enclosure temperature will not exceed 70°C @ 40°C ambient. Wiring compartment has 2 knockouts sized 3/4 inch screw cable connectors. The removable cover for the wiring compartment is secured in place by a clips. The enclosure is black powder coated.

Features

- Manual reset thermal circuit breaker on the secondary side.
- Dimmable with any standard MLV TRIAC dimmer.
- UL listed file #E300404
- UL standard 1012
- Certified to CSA Standard
- ETL Listed
- NEMA 3R enclosure



Specifications

Max Load	200W
Input Voltage	120V AC
Input Current Full Load	1.66 A
Output Voltage Full Load	11.5V AC / 12.5 V AC Boost
Max Output Current Full Load	12.5 A
Open Circuit Output Voltage	12.5V AC / 13.5 V AC Boost
Efficiency on I	91.50%
Coil Former	Double Section Bobbin
Thermal Class	B130°C
Leads Primary	PVC 600V #18
Leads Secondary	PVC 300V #12
Dimensions L*W*H	9.8 in. x 3 in. x 3 in. (248.92 mm x 76.2 mm x 76.2 mm)
Weight	87 Oz.

The specifications are subject to change without notice