

# 500W Lighting Transformer

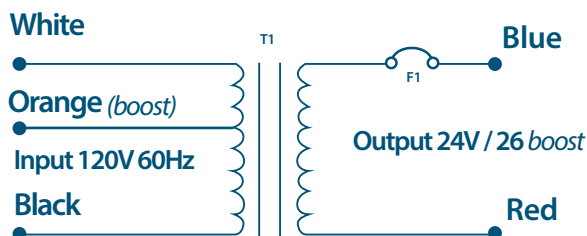
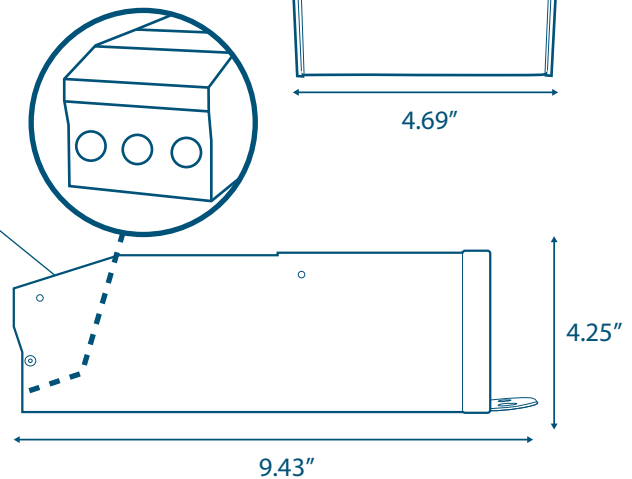
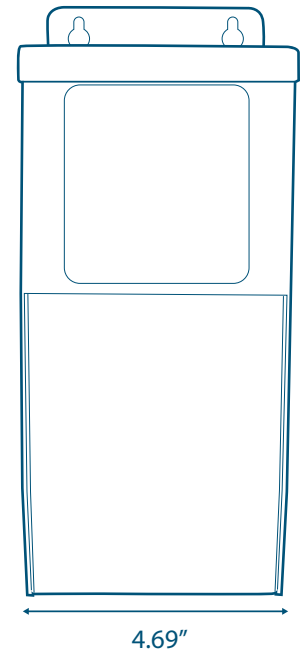
## Outdoor & Indoor Magnetic Lighting Transformer

Product Code: M500S24OD

Input leads are 18 AWG. Output leads are 12 AWG. Lead insulation is 105°C. The transformer uses a class B 130°C insulation system. The Enclosure temperature will not exceed 70°C @ 40°C ambient. Wiring compartment has 2 knockouts sized 3/4 inch screw cable connectors. The removable cover for the wiring compartment is secured in place by a clips. The enclosure is black powder coated.

## Features

- Manual reset thermal circuit breaker on the secondary side.
- Dimmable with any standard MLV TRIAC dimmer.
- UL listed file #E300404
- UL standard 1012
- Certified to CSA Standard
- ETL Listed
- NEMA 3R enclosure



## Specifications

Max Load	500W
Input Voltage	120V AC
Input Current Full Load	4.2 A
Output Voltage Full Load	23V AC / 25 V AC Boost
Max Output Current Full Load	21 A
Open Circuit Output Voltage	23V AC / 25 V AC Boost
Efficiency on I	93%
Coil Former	Double Section Bobbin
Thermal Class	B130°C
Leads Primary	PVC 600V #18
Leads Secondary	PVC 300V #12
Dimensions L*W*H	9.43 in. x 4.69 in. x 4.25 in. (239.52 mm x 119.12 mm x 107.95 mm)
Weight	15 lbs.

The specifications are subject to change without notice