



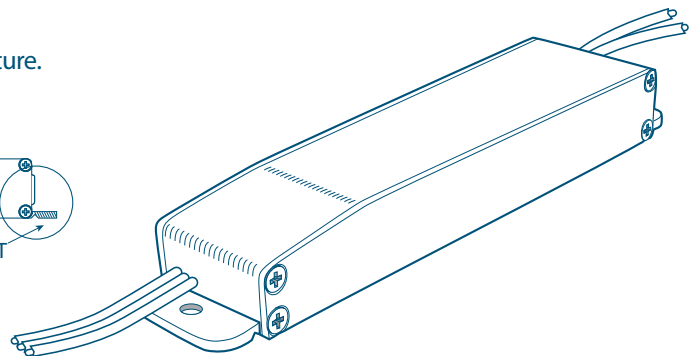
# 22W 500mA HD Constant Current LED Driver

## 22 Watt Dimmable Class 2 High Definition LED Driver

Magnitude's Blue line offers class 2 dimmable drivers that directly feed high efficiency LEDs at an accurate, true constant current. The driver's compact, low profile allows designers to easily incorporate it into OEM products. Magnitude's Blue Line Constant Current drivers include short circuit, over-voltage, over-temperature protection. Installers will find the Blue drivers highly reliable, easy to use and simple to install.

## Features

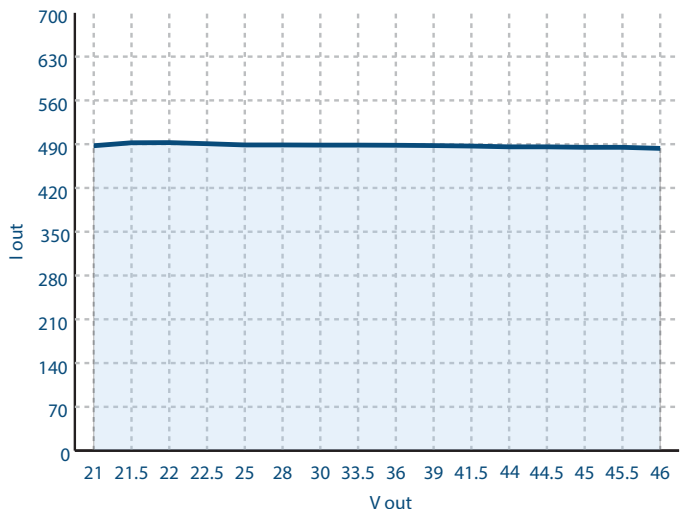
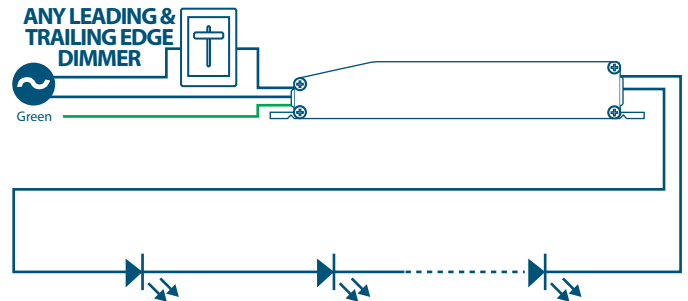
- Hot wire connect - LED Protection
- Dimmable with any Leading and Trailing Edge Dimmer
- Protection for short circuits, over voltage and over temperature.
- Super compact ALUMINUM CASE
- Auto dimmer compensation
- Power factor 0.96 (TYP)
- Class 2
- IP 67
- UL 8750



## Specifications

Rated Power (Max)	22W
DC Voltage Range	22 - 45 V
Startup <sup>1</sup>	400ms
Overload Protection	yes
Over Voltage Protection	yes
Constant Current Accuracy <sup>2</sup>	± 5%
Output Current	500mA
Voltage Range	90AC - 135AC 60Hz
Frequency Range	57Hz - 63Hz
Power Factor	> 0.9
Efficiency	> 83%
AC Current (Max)	0.4A / 120V
AC Inrush Current (Max)	25A / 120V
Leakage Current	< 0.5mA / 120V
Dimensions (L*W*H) Inches	4.92 x 1.3 x 0.77
Working Temp	-30°C +70°C
Working Humidity	20~95%
Storage Temp.	-40~ +80°C
Max Case Operation Temp.	<90°C
MTBF	200Khrs @ 50°C
Wire Length	7"
Wire Gauge (in \ out)	18AWG \ 18AWG
Safety Standards	UL8750
Withstand Voltage	I/P-O/P:3.75KVAC
Isolation Resistance	I/P O/P:100Mohms/500VDC/25C
EMC Immunity \ Emission	Compliance to FCC Part 15B

OUTPUT  
INPUT  
GENERAL



<sup>1</sup> May vary depending on dimmer setup time.  
<sup>2</sup> Under maximum load

The specifications are subject to change without notice