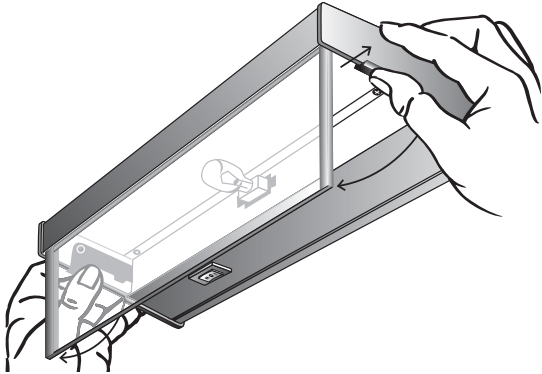


MOUNTING AND WIRING INSTRUCTIONS

Caution! Make sure fixture is not plugged in, or receiving power in any way.

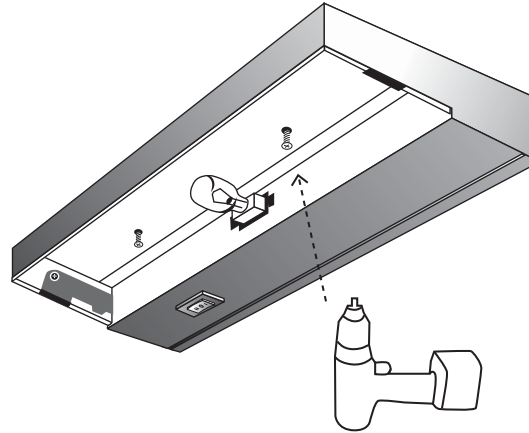
1. First release glass diffuser lens by pressing metal tabs on each end of the XTL outward. This loosens the glass lens which will swing down.



NOTE:

Four and five bulb units have magnet(s) on center of lens which will require a gentle pry downward with a small screwdriver on the lens to release.

2. Easy mounting is assured by simply positioning fixture on mounting surface and driving the two pre-positioned screws into underside of cabinet with a power screwdriver. See below.



NOTE:

For wall or under cabinet mount only.

3. Replace glass diffuser by swinging glass lens up into position.

Caution! This portable lamp has a polarized plug (one blade is wider than the other) as a feature to reduce the risk of electric shock. This plug will fit in a polarized outlet only one way. If the plug does not fit fully in the outlet, reverse the plug. If it still does not fit, contact a qualified electrician. Never use with an extension cord unless plug can be fully inserted. Do not alter the plug.

4. Insert polarized plug into appropriate 110V receptacle. Test fixture in both "HI" and "LOW" switch settings.

RELAMPING INSTRUCTIONS

CAUTION! If unit has recently been operating, glass, bulb(s), and fixture are hot! Turn off fixture and allow it to cool for 15 minutes before relamping.

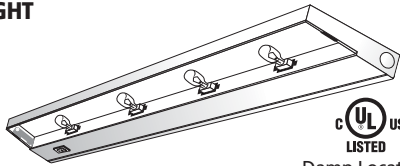
CAUTION! Always replace bulbs with fixture switch in the OFF position.

NOTE: Using a thin pair of gloves during this procedure will eliminate fingerprints on glass lens and Xenon bulbs.

1. Release glass diffuser lens by pressing metal tabs on each end of the XTL outward. This loosens the glass lens which will swing down.
2. Remove Xenon bulbs by pulling directly outward from bulb socket. Replace with 18 watt, 12 volt, Xenon wedge based bulb only (NSL part no. XEN-12-18W)! Push bulb directly into socket until bulb base is firmly seated in bulb socket.
3. Replace glass diffuser by swinging glass lens up into position.

OTHER XENON PRODUCTS BY NSL

XENON TASK LIGHT — HARDWIRE



Damp Locations

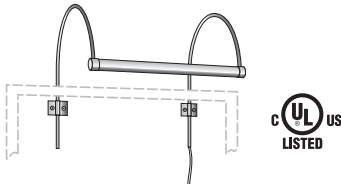
The perfect under-cabinet task light fixture. Brighter than fluorescent, a fraction the heat of halogen, and four times the bulb life of halogen.

XENON MINI LIGHT



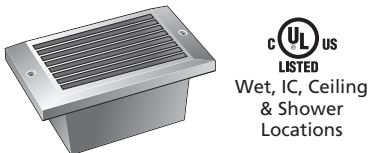
A completely new design of the industry standard "hockey puck". A fraction the heat of a halogen, four times the bulb life of halogen, similar bright white light.

XENON PICTURE LIGHT



The new benchmark for picture lighting. No picture fading UV's of halogen, greater light output, and four times the bulb life of the competition.

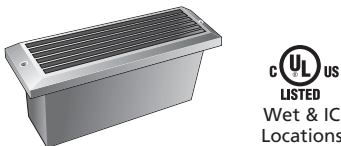
XENON STEP LIGHT



Wet, IC, Ceiling & Shower Locations

The brightest, longest-lasting 110V Step Light with aluminum die cast construction in three cover designs and four colors.

XENON BRICK LIGHT



Wet & IC Locations

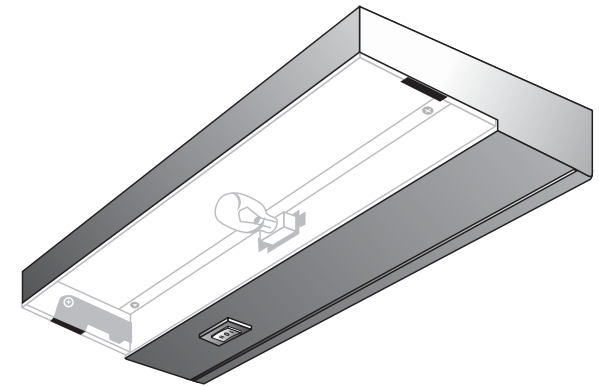
Longest-lasting 110V Brick Light with aluminum die cast brick-size construction in three cover designs and four colors.

INSTALLATION INSTRUCTIONS

XENON TASK LIGHT

Self-Contained Task Light Fixture

POWER CORD VERSION



- Under cabinet task light
-
- Bright enough for writing and detail work
-
- High-low dimmer switch
-
- Cooler and safer than halogen lights
-
- 10,000 hour bulb life

NATIONAL SPECIALTY LIGHTING

ARCHITECTURAL AND DECORATIVE LIGHTING

LOUISVILLE, CO 80027

www.nslusa.com

© 2008 National Specialty Lighting

10/08

NSL
NATIONAL SPECIALTY LIGHTING

