

Type _____
 Project _____
 Catalog No. _____
 Lamp/Wattage _____

NHM-412 4" AirTight LED Marquise New Const. Housing

Source: 1250lm, 120/277V

PRODUCT DESCRIPTION

New construction housing for use in non-insulated ceilings, where insulation can be kept 3" from fixtures. Rated for use with a line voltage lamp.

CONSTRUCTION

Plaster Frame

0.040 steel frame with integral bar hanger brackets. Brackets can accommodate longer 27" accessory flat bar hangers. Brackets run along all sides of frame to allow bar hangers to be run parallel or perpendicular to junction box.

Housing

0.035 white baked enamel one-piece drawn steel. Adjustable for ceiling thickness from 5/8" to 1-3/8".

Clearance

Non-IC housings require a minimum clearance of 3" from thermal insulation and 1/2" from adjacent building components.

Air Flow Restriction

Air tight (AT) housings have factory installed gaskets to restrict airflow from room into ceiling plenum to <2CFM (cubic feet per minute) in accordance with ASTM-283 Air-Tight requirements.

Bar Hangers

Two 13-3/4" to 24-1/2" adjustable bar hangers with captive nails are included on frame. Bar hangers are parallel to junction box, but can be repositioned 90° perpendicular to junction box if desired. "L" Shaped bar hanger foot to align to bottom of construction joist. A T-Bar notch allow for easy installation in a suspended ceiling.

Junction Box

Prewired 25 cubic inch 0.060" thick galvanized steel, with seven 1/2" knockouts, four Romex® pryouts, and snap on covers. All leads are #18AWG wire, the ground wire is connected to the bottom, and quick connectors are supplied on all leads. Through branch circuit wiring, (4-in, 4-out).

Dimming

- 1250 Lumen Triac dimming standard
- Comfort Dim requires ELV dimmer
- Consult factory for optional 0-10V dimming

Trim

Compatible with NRM-41 Series.

ELECTRICAL

Wiring

Standard flex whip carries wire lead from junction box into housing. Wire leads extend from housing and thermal device to the luminary disconnect.

Thermal Protector

External thermal device is located on the junction box.

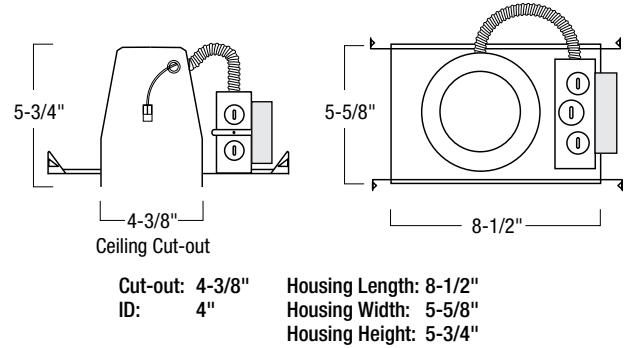
DRIVER

CREE LMD125 for 120V 850/1250 Lumen. ERP ELM03W-0440-34 for 277V 850/1250Lumen

EMERGENCY

90-minute battery backup must be ordered separately and installed apart from the housing in an accessible location.

DIMENSIONS



Bodine Emergency Lighting Equipment: BSL17-C2/BSL17C-C2 (850/1250lm)

- Up to 7.0W max emergency illumination with LEDs.
- Illumination Time: 90min
- Dual Input Voltage: 120/277 VAC, 60Hz
- Output Voltage: 15.0-50.0 VDC
- AC Input Current: 45 mA
- Output Current: 470mA max
- Dimension: 12" x 2.4" x 1.5"

Labels and Listings

cULus Listed for Damp Location w/ Feed Through
 cULus Wet Listed (Only with designated trims)
 Meets or exceeds ASTM-283 Air-Tight Requirements
 Title 24

4" Marquise New Const. Housing

Catalog No.	Description	Driver	Voltage	Emergency
NHM-412	4" 1250lm New Const	(Blank)=Standard C=Comfort Dim	LE1=120V LE2=277V	EM=Emergency

Type
Project
Catalog No.
Lamp/Wattage

NHM-412
4" AirTight LED Marquise New Const. Housing

Source: 15.75W / 1250lm, 120/277V

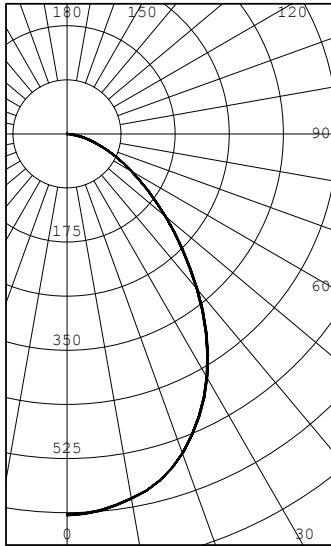
NHM-412LE1/NRM-411L8530DW

Voltage: 120.0 VAC	Power: 10.55 W	Frequency: 60Hz	Test Temp: 25.0°C	Current: 0.09210 A	PF: 0.954	SC: 1.0
---------------------------	-----------------------	------------------------	--------------------------	---------------------------	------------------	----------------

COEFFICIENTS OF UTILIZATION CONAL CAVITY METHOD
 EFFECTIVE FLOOR CAVITY REFLECTANCE = 0.20

CC	90				80				70				50			30			10			0
	70	50	30	10	70	50	30	10	70	50	30	10	50	30	10	50	30	10	50	30	10	0
WALL																						
RCR																						
0	1.22	1.22	1.22	1.22	1.19	1.19	1.19	1.19	1.16	1.16	1.16	1.16	1.11	1.11	1.11	1.06	1.06	1.06	1.02	1.02	1.02	1.00
1	1.15	1.12	1.09	1.07	1.13	1.10	1.07	1.05	1.11	1.08	1.05	1.03	1.04	1.02	1.00	1.00	0.99	0.97	0.97	0.95	0.94	0.92
2	1.09	1.04	0.99	0.95	1.07	1.02	0.98	0.94	1.05	1.00	0.96	0.93	0.97	0.94	0.91	0.94	0.91	0.89	0.91	0.89	0.87	0.85
3	1.03	0.95	0.90	0.85	1.01	0.94	0.89	0.85	0.99	0.93	0.88	0.84	0.90	0.86	0.83	0.88	0.84	0.81	0.86	0.83	0.80	0.79
4	0.97	0.89	0.82	0.78	0.95	0.87	0.82	0.77	0.94	0.86	0.81	0.77	0.84	0.79	0.76	0.82	0.78	0.75	0.80	0.77	0.74	0.72
5	0.92	0.82	0.75	0.70	0.90	0.81	0.75	0.70	0.88	0.80	0.74	0.70	0.78	0.73	0.69	0.76	0.72	0.68	0.75	0.71	0.68	0.66
6	0.86	0.76	0.69	0.65	0.85	0.75	0.69	0.64	0.83	0.74	0.68	0.64	0.73	0.67	0.63	0.71	0.66	0.63	0.70	0.66	0.62	0.61
7	0.81	0.70	0.63	0.59	0.79	0.69	0.63	0.58	0.78	0.69	0.62	0.58	0.67	0.62	0.58	0.66	0.61	0.57	0.65	0.60	0.57	0.55
8	0.76	0.65	0.58	0.54	0.75	0.64	0.58	0.53	0.73	0.63	0.57	0.53	0.62	0.57	0.53	0.61	0.56	0.52	0.60	0.56	0.52	0.51
9	0.71	0.60	0.53	0.48	0.70	0.60	0.53	0.48	0.69	0.59	0.53	0.48	0.58	0.52	0.48	0.57	0.52	0.48	0.56	0.51	0.48	0.46
10	0.67	0.56	0.49	0.44	0.66	0.55	0.49	0.44	0.65	0.55	0.49	0.44	0.54	0.48	0.44	0.53	0.48	0.44	0.52	0.47	0.44	0.42

INTENSITY (CANDLEPOWER) SUMMARY



ANGLE	MEAN CP
0	616
5	612
10	599
15	580
20	548
25	505
30	452
35	392
40	327
45	264
50	208
55	160
60	120
65	87
70	60
75	38
80	20
85	6
90	0

ZONAL LUMENS & PERCENTAGES

ZONE	LUMENS	% LUMINAIRE
0-30	367	49.95
0-40	538	73.27
0-60	713	97.10
0-90	735	100.00
40-90	196	26.73
60-90	21	2.90
90-180	0	0.00
0-180	735	100.00

LUMINACE SUMMARY CD./SQ.M.

ANGLE	MEAN CD/SQ M
45	35490
55	16885
65	6890
75	835
85	0

NHM-412

4" AirTight LED Marquise New Const. Housing

Source: 15.75W / 1250lm, 120/277V

Type _____

Project _____

Catalog No. _____

Lamp/Wattage _____

120-VAC Dimmer Compatibility

Manufacturer	Model/Series	Part Number	Type	Compatible with 1 LMH2	Compatible with 2 LMH2s
Cooper	Rotary	6020	IND	✓	✓
	Aspire	9530	IND	✓	✓
	Aspire	9534WS-K-L	IND/MLV		✓
	Aspire	9540WS	IND/MLV	✓	✓
	Devine	DI106P-V	IND	✓	✓
	Devine	DI10P	IND	✓	✓
	React	RI061-V	IND	✓	✓
	React	RI06P-LA	IND	✓	✓
	Skye	SI06P	IND/MLV	✓	✓
	Skye	SI061-V	IND	✓	✓
	Skye	SI10P	IND/MLV	✓	✓
	Trace	T1061-W	IND	✓	✓
Leviton	Trimitron	6602	IND	✓	✓
	Acenti	AT106-1LW	IND	✓	✓
	Illumatech	IPI06	IND	✓	✓
	Vizia	RP106	IND	✓	✓
Lutron	Ariadni	AY-600P	IND	✓	✓
	Ceana	CN-600P	IND	✓	✓
	Ceana	CNLV-V-600P	MLV	✓	✓
	Centurion	C-600	IND	✓	✓
	Decora	VPI06-1LW	IND	✓	✓
	Dial Dimmer	D-600	IND	✓	✓
	Diva	DV-600P	IND	✓	✓
	Diva	DV-10P	IND	✓	✓
	Diva	DVELV-300P	ELV	✓	✓
	Diva	DVF-103P	FLR	✓	✓
	Diva	DVLV-600P	MLV	✓	✓
	Diva	DVWCL-153DH	CFL/LED	✓	✓
	Glyder	GL-600H	IND/MLV	✓	✓
	Lumea	LG-603PG	IND	✓	✓
	Lyneo	LX-600PL	IND	✓	✓
	Maestro	MA-1000	IND	✓	✓
	Maestro	MALV-1000	MLV	✓	✓
	Maestro	MAW-600	IND	✓	✓
	Maestro	MRF-600M	IND		✓
	Nova	N-600	IND	✓	✓
	Nova	NLV-1503P	MLV	✓	✓
	Nova T	NTB-600	IND	✓	✓
	Nova T	NT-603P	IND	✓	✓
	Nova T	NTELV-600	ELV	✓	✓
	Skylark	S-600	IND	✓	✓
	Skylark	S-600P	IND	✓	✓
	Skylark	SELV-300P	ELV	✓	✓
	Skylark	SLV-600P	MLV	✓	✓
	Sureslide	6673-P	CFL	✓	✓
	Toggle	TG-600PH	IND	✓	✓
	Pass and Seymour	Decorator	LS600	IND	✓
Wattstopper	Miro	MCD267-W	UNI	✓	✓