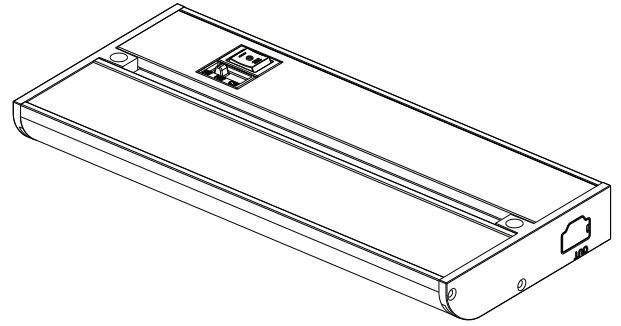


Safety & Tips

- Read all safety precautions and installation instructions carefully before installing or servicing this fixture. Failure to comply with these instructions could result in potentially fatal electric shock and/or property damage.
- It is recommended that a qualified electrician perform all wiring. This fixture must be wired in accordance with all national and local electrical codes.
- Do not handle a live fixture or attempt to power on any fixture with wet wires or while standing on a wet or damp surface or in water.
- Make sure that the power source matches the requirements of the fixture. (See labels on fixture housing).
- To reduce the risk of electrical shock, and to assure proper operation, this fixture must be adequately grounded.
- Do not touch LED light engine or heat-sink.
- A 12-inch minimum distance from luminaire is required for all objects located under fixture.
- This fixture is to be used for general indoor lighting, and is suitable for dry locations only.
- Total wattage of linked fixtures must not exceed 500W.



Assembly Instructions

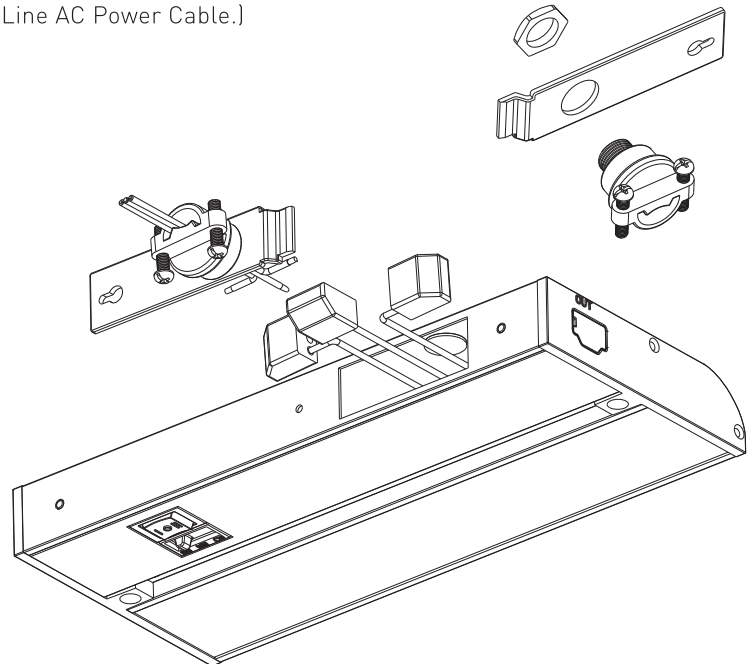
Disconnect electrical power before installing or servicing any part of this fixture.

Power Cord to Outlet Installation (Skip this step if installing with a ThruLine Splice Cable.)

- Fixture must be mounted within 6' (ft.) of an outlet with the 6' AC Power Cable (sold separately).
- Connect cord to fixture by snapping the quick connect end of the cord to the corresponding connector in the end of the fixture marked IN. The cord will only connect to the IN connector, so make sure the right connector is identified. Do not force the connection, it should snap in easily.
- For mounting installation, refer to section 6 below.
- Once mounting is completed, plug the cord into the outlet.
- The unit can now be turned on with the power switch (2) by switching between one of the 3 modes (Lo, Off, Hi).

Hard-Wired Installation (Skip this step if installing with a ThruLine AC Power Cable.)

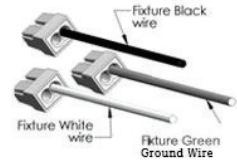
- Turn the fixture upside down with the back of the fixture facing you; disengage cover plate by loosening screw.
- Remove appropriate 3/8" diameter knockout for supply wiring entry.
- Insert cable connector into the housing open hole. Secure it with the nut. Cut a portion of the armor on the BX cable (with a BX cutter (not included), so that you expose approximately 6-7 inches of wire. Trim 1/2" from the insulation to ensure that it is long enough to be inserted into the connectors. Push the exposed wires (hot, neutral and ground) through the anti-short bushing and slide this bushing all the way down to the exposed wires until it is snug up against the armor.
- Slide the BX cable through the cable connector and tighten the cable connector with a screwdriver (not included). Feed the cables and the connector through the hole on the adapter plate, attach the nut on the other side of the cable connector, and proceed to step (5).



(cont. on other side)

Hard-Wired Installation Completion

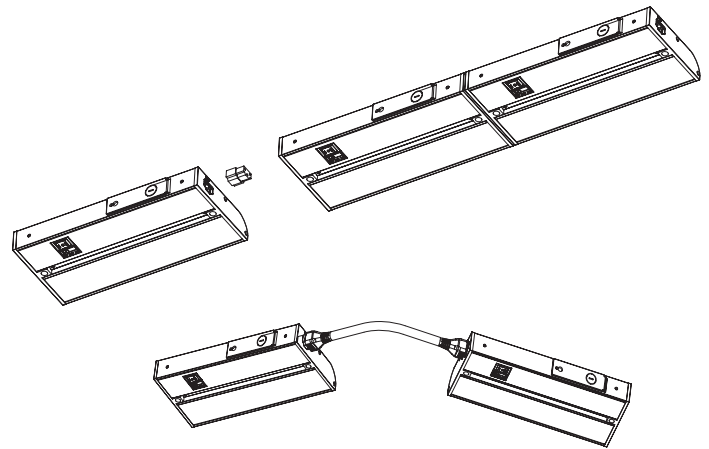
- Pull the 3 wires out of the fixture to allow connection to the branch circuit.
 - Connect the green ground input supply wire to the fixture green ground wire. Do this by inserting it into the open hole in the push-in wire connector (included) that is attached to the green ground wire in the fixture.
 - Connect the white input supply wire to the fixture white wire. Do this by inserting it into the open hole in the push-in wire connector (included) that is attached to the white wire in the fixture.
 - Connect the black input supply wire to the fixture black wire. Do this by inserting it into the open hole in the push-in wire connector (included) that is attached to the black wire in the fixture.
- Do not mix wires or change polarity.**
- Pull on each wire lead to make sure connections are secure. Make certain no bare wires are exposed outside of the wire connectors.
 - Feed wires back into fixture, re-attach adapter plate, tighten screw, and attach the fixture to the base of the cabinet with screws as defined in mounting section.



Daisy-Chaining

Total wattage of linked fixtures must not exceed 500W.

- The first fixture in the series can be connected with a ThruLine AC Power Cable or hard-wired with a ThruLine Splice Cable.
- Make sure power is off on all fixtures. The power switch should not be engaged in either direction.
- Connect the ThruLine Interconnector Cable (sold separately) or Interconnector (included) to the Out connector of the first fixture and into the In connector of the second fixture. (The connectors are keyed to only fit one way. Do not force the connections, they should snap in easily.)
- Follow directions in mounting section.
- Once mounting is completed, power on the first fixture. (Each fixture is controlled individually.)



Mounting

Note: Injury to persons and damage to the mounting surface may result if the fixture or mounting hardware is pulled from the mounting location. To reduce the possibility of such injury, be sure to mount the fixture only on a surface that is mechanically and structurally sound.

- Using captive screw hole locations, position the fixture in the location intended for mounting.
- Mark hole locations by using the screw-holes as a guide. Drill suitable holes in the marked positions.
- Mount the housing to desired surface with the 2 captive screws.

Dimmability

This fixture is dimmable in the high (11) setting only. The following dimmers are approved for use to achieve smooth dimming down to 10% of full brightness:

Leviton	Lutron	Legrand / Pass & Seymour	Cooper
6633	TG-600P	T600WV	6013W
6681	TG-603P	WS700TCCCVG	
6621-WWP	AY600P		
6631-WWP	MACL53MH		
	SELV-300P		