

**MODULE MI-SNAKE-05**  
**REF: 45015**

PRODUCT DESCRIPTION

DIMENSIONS:

- Module for building shapes MI-SNAKE in the MIFOR-70 system
- Also applicable as a standalone lighting fixture
- Includes a light source

TECHNICAL SPECIFICATION

Application

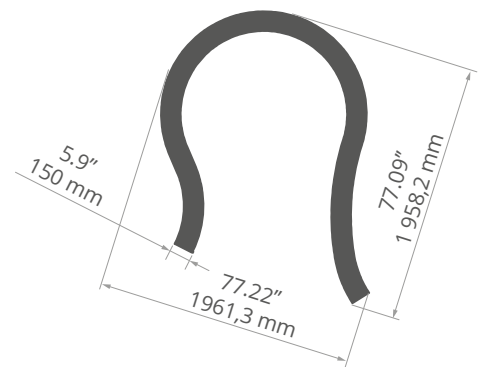
- main and decorative lighting,
- construction of lighting installations with flowing shapes.

Mounting

- suspended, using dedicated accessories.

Additional information

- mounting type - suspended
- place of installation - ceiling
- luminous flux (lm) - 7923
- maximum luminous efficacy (lm/W) - 46,8
- closest color temperature (K) - 4000
- color rendering index (Ra) - 90
- average rated life (h)- 26000
- standard deviation of color matching SDCM - 3
- fixture color - silver anodized
- input voltage (V) - 12 V DC
- max load (W) - 169
- wired control - on/off
- protection rating - IP20
- protection class - III
- diffuser material - PC
- housing material: aluminum
- admissible ambient temperature range - 10°C-30°C
- weight - 9,7 kg
- suspension wires and fasteners are not included





**MODULE MI-SNAKE-05**  
**REF: 45015**

FILL IN THE BLANK FIELDS

Product No.	
Binding type	
Company	
Job name	
Date	

RELATED PRODUCTS



Module  
MI-SNAKE-01  
REF: 45011



Module  
MI-SNAKE-02  
REF: 45012



Module  
MI-SNAKE-03  
REF: 45013



Module  
MI-SNAKE-04  
REF: 45014



Module  
MI-SNAKE-06  
REF: 45016



Module  
MI-SNAKE-07  
REF: 45017