

**NPD-E22/A4HL, NPD-E14/A4HL, NPD-E24/A4HL**  
LED Edge-Lit LED Panels

Source: 34W to 46W LED  
3500lm to 5000lm

**PRODUCT DESCRIPTION**

LED Edge-Lit panels consist of an aluminum enclosure with even light distribution using edge mounted LEDs. The white diffused lens optimizes output while diffusing LED diode image. The Edge-Lit panels produce even zonal cavity distribution.

**FEATURES**

- 3500 lumens output with 35W (2'x2')
- 3500 lumens output with 34W (1'x4')
- 5000 lumens output with 46W (2'x4')
- 3000K, 3500K, 4000K or 5000K color temperature
- Fits most 2'x2', 1'x4' or 2'x4' grid ceilings
- Surface, pendant and hard ceiling recessed kits available
- 0-10V dimming
- 100/277V
- cULus listed for damp location
- CEC listed

**CONSTRUCTION**

Two LED strips mounted on edges enclosed in aluminum frame with smooth opalescent acrylic lens. White opalescent acrylic lens with a full aluminum back. The construction seals the conditioned air from the plenum or non-conditioned air, eliminates bugs or dirt getting to top of lens. Saves on maintenance cost.

**LENS**

The PMMA (Poly methyl methacrylate) lens is lightweight and shatter resistant.

**INSTALLATION**

Junction box is mounted on the back of panel and includes replaceable driver and has KOs for Romex or Flex wiring, which is accessible via a service door secured with two screws.

**DRIVER**

Dimmable high power factor 100/277V input. Dimmable down to 5% with compatible 0-10V dimmer.

**ELECTRICAL**

**Input Voltage:** 100/277V

**Lumens / Wattage:**

**2'x2'** = 3500lm / 35W

**1'x4'** = 3500lm / 34W

**2'x4'** = 5000lm / 46W

**Color Temperature:**

3000K, 3500K, 4000K or 5000K

**CRI:** 80+ CRI

**Operating Temp.:** 0°C to 45°C ambient temperature

**Life Expectancy:** 50,000 hours

**Dimming:** 0-10V dimming

[Click Here](#) or check complete dimmer list at [www.NoraLighting.com](http://www.NoraLighting.com) in the "Compatibility" page under "Resources" tab

**Bodine Emergency Lighting Equipment: BSL17C-C2P (2000/3000lm)**

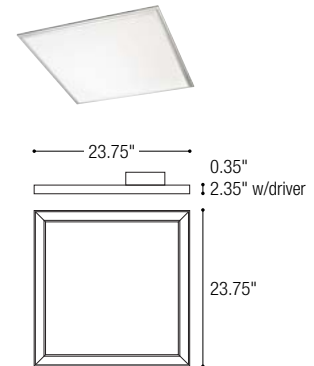
- Up to 7.0W max emergency illumination with LEDs.
- Illumination Time: 90min
- Dual Input Voltage: 120/277 VAC, 60Hz
- Output Volt age: 15.0-50.0 VDC
- AC Input Current: 280 mA
- Output Current: 270mA max
- Dimension: 12" x 2.4" x 1.5"

**LABELS AND LISTINGS**

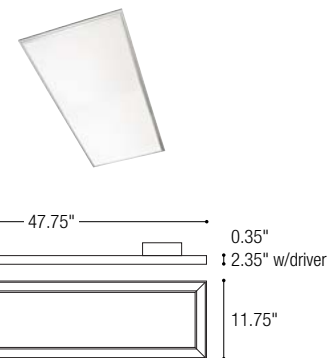
- cULus listed for damp location
- 5-Year limited warranty
- DLC Listed



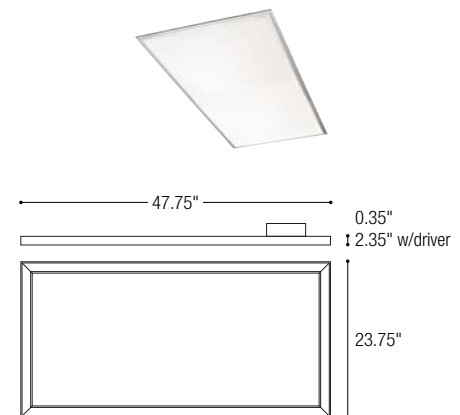
**PRODUCT IMAGES AND DIMENSIONS**



**NPD-E22**  
2' x 2' LED Edge-Lit Panel



**NPD-E14**  
1' x 4' LED Edge-Lit Panel



**NPD-E24**  
2' x 4' LED Edge-Lit Panel

**LED Edge-Lit Flat Panels with Diffused Lens**

Catalog No.	Color Temp.	Emergency Option
<b>NPD-E22</b> = 2'x2' / 3500lm / 35W	<b>/30A4HL</b> = 3000K	<b>EM</b> = Emergency with Remote Test Switch
<b>NPD-E14</b> = 1'x4' / 3500lm / 34W	<b>/35A4HL</b> = 3500K	
<b>NPD-E24</b> = 2'x4' / 5000lm / 46W	<b>/40A4HL</b> = 4000K	
	<b>/50A4HL</b> = 5000K	

**Example: NPD-E22/40A4HL** - 2'x2' LED Edge-Lit Panel, 3500lm / 35W, 4000K, Aluminum finish

**NPD-E22/A4HL, NPD-E14/A4HL, NPD-E24/A4HL**  
LED Edge-Lit LED Panels

**LED Edge-Lit Panel Accessories**



Surface Mounting Frame for LED Panels

- NPD-14DFK/A**                    1' x 4', Aluminum finish
- NPD-14DFK/W**                    1' x 4', White finish
- NPD-22DFK/A**                    2' x 2', Aluminum finish
- NPD-22DFK/W**                    2' x 2', White finish
- NPD-24DFK/A**                    2' x 4', Aluminum finish
- NPD-24DFK/W**                    2' x 4', White finish

The frame mounts over an existing junction box and then the panel slides into place. The surface frame only extends 2.5" from the ceiling. Can be used with NPD-PK pendant kit.

**Note:** Junction box must be off center frame.



NPD Recessed Flange Kit

- NPD-14RFK/W**                    1' x 4', White finish
- NPD-22RFK/W**                    2' x 2', White finish
- NPD-24RFK/W**                    2' x 4', White finish

T-bar style for recessed mounting of NPD panel into hard ceiling.



Pendant Mounting Kit for 2'x2', 1'x4', or 2'x4'

**NPD-PK**                    Includes canopy, cords and cables

Can be used with NPD-22DFK/A, NPD-14DFK/A, or NPD-24DFK/A surface frame. Each kit includes Canopy, Cord and Cables. Allows the LED Panel to suspend as a fixture

**Canopy Dimension:**

**Width:** 6"    **Length:** 6"    **Height:** 0.75"    **Cord & Cable:** 8'6"