

Installation Instructions

NQZ Series

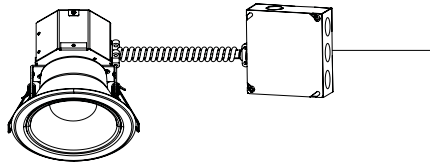
Quartz Tunable Wattage / Tunable White Reflectors

READ PRIOR TO ATTEMPTING INSTALLATION
ALWAYS TURN OFF MAIN POWER BEFORE INSTALLATION
INSTALLATION SHOULD BE CARRIED OUT BY YOUR LOCAL ELECTRICIAN

- ⚠ WARNING** - Risk of fire or electric shock. LED installation kit requires knowledge of luminaire electrical systems. If not qualified, do not attempt installation. Contact a qualified electrician.
- ⚠ WARNING** - Risk of fire or electric shock. Install this kit only in luminaires that have the construction features and dimensions shown in the photographs and / or drawings and where the input rating does not exceed the input rating of the luminaire.
- ⚠ WARNING** - To prevent wiring damage or abrasion, do not expose wiring to edges of sheet metal or other sharp objects.
- ⚠ WARNING** - This equipment is intended to be installed only by qualified personnel. The installation must be made in accordance with the current edition to the National Electric Code and all applicable state and local building codes. The final installation must be approved by the appropriate qualified electrical/building inspector(s). Improper installation may result in a fire or electrical hazard. Be sure the electrical power to the circuit has been disconnected before installing this electrical system.
- ⚠ AVERTISSEMENT** - Cet équipement est destiné à être installé uniquement par du personnel qualifié. L'installation doit être faite en conformité avec l'édition actuelle du Code national de l'électricité et toutes étagiques et locales codes du bâtiment applicables. L'installation finale doit être approuvée par l'inspecteur en électricité / bâtiment qualifié approprié(s). Une mauvaise installation peut entraîner un incendie ou un risque électrique. Soyez sûr de la puissance électrique vers le circuit a été coupée avant l'installation de ce système électrique.



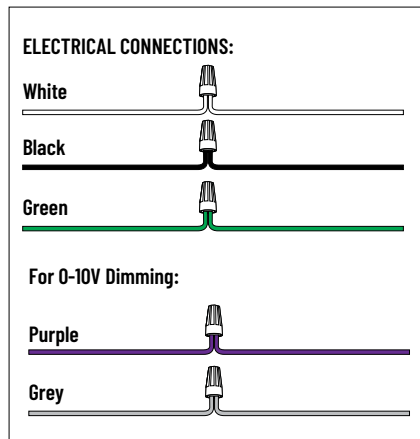
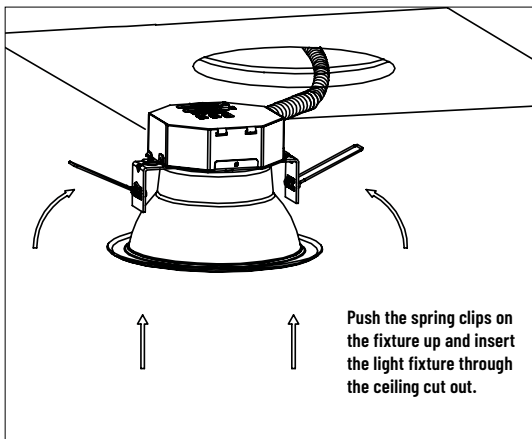
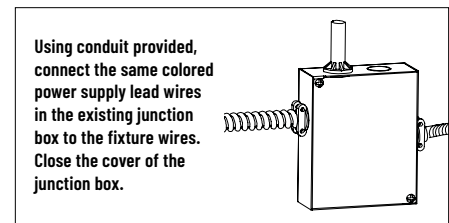
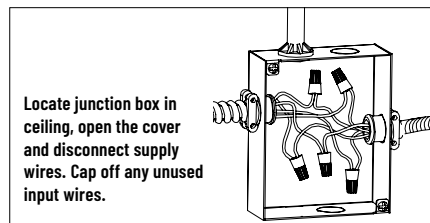
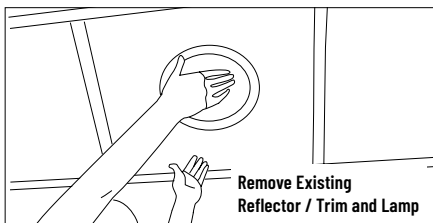
PACKAGING CONTENTS



- a. Quartz Fixture
- b. Conduit
- c. Junction Box
- d. Aircraft Cable

RETROFIT:

1. Turn off power before installation.
2. Remove existing reflector / trim and lamp, if there is one already installed.
3. Remove conduit from the junction box provided.
4. Locate the existing junction box in ceiling, open the box cover, and disconnect supply wires. Disconnect connections to insulation detector if any but DO NOT REMOVE it. Cap off any unused input wires.
5. Using conduit provided, connect the same colored power supply lead wires in the existing junction box to the fixture wires. (See wiring connections below)
6. Close the cover of the junction box.
7. Push the spring clips on the fixture up and insert the light fixture through the ceiling cut out. Ensure the spring clips are holding the fixture securely.
8. Once assembly is complete, turn on power. If the module doesn't turn on within 5 seconds, turn power off, carefully remove assembly and double check all wiring.



Installation Instructions

NQZ Series

Quartz Tunable Wattage / Tunable White Reflectors

READ PRIOR TO ATTEMPTING INSTALLATION
ALWAYS TURN OFF MAIN POWER BEFORE INSTALLATION
INSTALLATION SHOULD BE CARRIED OUT BY YOUR LOCAL ELECTRICIAN

- ⚠ WARNING** - Risk of fire or electric shock. LED installation kit requires knowledge of luminaire electrical systems. If not qualified, do not attempt installation. Contact a qualified electrician.
- ⚠ WARNING** - Risk of fire or electric shock. Install this kit only in luminaires that have the construction features and dimensions shown in the photographs and / or drawings and where the input rating does not exceed the input rating of the luminaire.
- ⚠ WARNING** - To prevent wiring damage or abrasion, do not expose wiring to edges of sheet metal or other sharp objects.
- ⚠ WARNING** - This equipment is intended to be installed only by qualified personnel. The installation must be made in accordance with the current edition to the National Electric Code and all applicable state and local building codes. The final installation must be approved by the appropriate qualified electrical/building inspector(s). Improper installation may result in a fire or electrical hazard. Be sure the electrical power to the circuit has been disconnected before installing this electrical system.
- ⚠ AVERTISSEMENT** - Cet équipement est destiné à être installé uniquement par du personnel qualifié. L'installation doit être faite en conformité avec l'édition actuelle du Code national de l'électricité et toutes étagiques et locales codes du bâtiment applicables. L'installation finale doit être approuvée par l'inspecteur en électricité / bâtiment qualifié approprié(s). Une mauvaise installation peut entraîner un incendie ou un risque électrique. Soyez sûr de la puissance électrique vers le circuit a été coupée avant l'installation de ce système électrique.

NEW CONSTRUCTION:

1. Turn off power before installation.
2. Cut hole (refer to Cut-Out Dimensions Table for appropriate size) with a drywall saw.
3. Open junction box cover and remove appropriate knockouts.
4. Using conduit, connect the same colored power supply lead wires to the fixture wires. (See wiring connections below)
5. Close the cover of the junction box.
6. Rivet the aircraft cable on the frame-in / housing or joist and place the junction box through the cut-out hole.
7. Push the spring clips on the fixture up and insert the light fixture through the ceiling cut out. Ensure the spring clips are holding the fixture securely.
8. Once assembly is complete, turn on power. If the module doesn't turn on within 5 seconds, turn power off, carefully remove assembly and double check all wiring.

CUT-OUT DIMENSIONS	
4" Round Diameter	120.5mm (4-3/4")
6" Round Diameter	161.2mm (6-3/8")
8" Round Diameter	199.6mm (7-7/8")

