

Type _____
 Project _____
 Catalog No. _____
 Lamp/Wattage _____

NTE-818 Series
LED Flex Beam Track Head

Lamp: 25W LED Source

PRODUCT DESCRIPTION

Uniquely designed, telescoping die-cast aluminum shroud that glides forward and back to adjust the beam spread from a narrow spot to a flood. Beam spread indicators on the side of the shroud make it easy to vary the beam for precise illumination from 20° to 55°. The LED Flex Beam can also be tilted and offers 350° rotation and 90° vertical movement. This energy-efficient fixture features a Bridgelux LED behind a spherical optical lens using only 25 watts. Color temperatures include 2700K (with 1650 lumen output); 3000K (1800 lumen output); and 4000K (2000 lumen output) at 80 CRI.

FEATURES

- Over 75% energy savings when compared to incandescent
- Up to 2000 Lumens and 80 CRI
- Adjustable beam spread from 20° to 55°
- Available in three different color temperatures: 2700K, 3000K, or 4000K CCT
- 25 Watt Bridgelux LED
- Black, Silver, White Finishes
- Single circuit track
- Available in J-Style and L-Style

CONSTRUCTION

Housing

Die-cast construction with heat dissipating fins, for driver and LED package to optimize heat management.

Shroud

Telescoping die-cast aluminum shroud that glides forward and back to adjust the beam spread from a narrow spot to a flood.

Adjustability

350° horizontal and 90° vertical adjustment.

Contact Head Assembly

Three 0.030 stainless steel contacts mounted in premium plastic housing.

Single Circuit Track

Positive contact (opposite neutral and ground contacts) is preset to "down" position.

Finishes

Black, Silver, or White power coated.

ELECTRICAL

Power Consumption: 25 Watts (25)

Lumens: 1650lm @ 2700K / 1800lm @ 3000K / 2000lm @ 4000K

Color Rendering Index: 80 CRI

Light Source: Bridgelux LED

Beam Spread: Adjustable from 20° to 60° (A)

Life Expectancy: 30,000 Hours

Color Temperature: Warm White (2700K), Warm White (3000K), Cool White (4000K)

Applications

Excellent choice for commercial, retail stores, art, and jewelry applications.

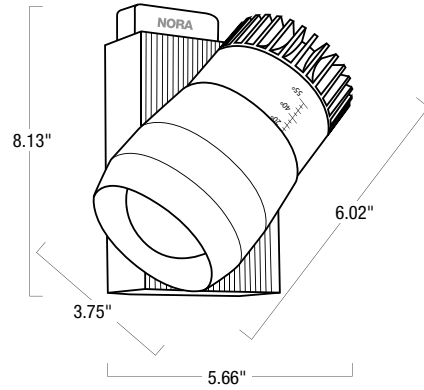
Compatibility

Nora track heads are compatible with Halo or any other brands configured to Halo 3 wire track configuration. J-Style and L-Style track adapters are available.

Note: Fixtures may not be compatible with non-Nora monopoint adapters.

Labels and Warranty

DIMENSIONS



Width: 5.66"
 Length: 6.02"
 Diameter: 3.75"
 Max. Extension: 8.13"

cULus Listed
 Three Year Limited Warranty



LED Flex Beam Track Head

LED Flex Beam Track Head - select one from each column

Catalog No.	Source	Color Temp.	Beam Spread	Wattage	Finish	Style
NTE-818	L = LED	27 = 2700K	A = Adjustable	25 = 25W	B = Black	(Blank) = H-Style
		30 = 3000K			S = Silver	/J = J-Style
		40 = 4000K			W = White	/L = L-Style